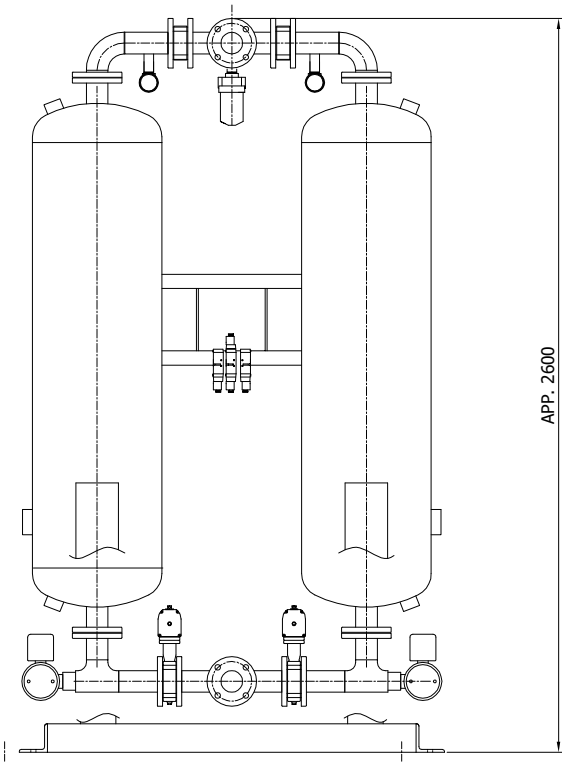
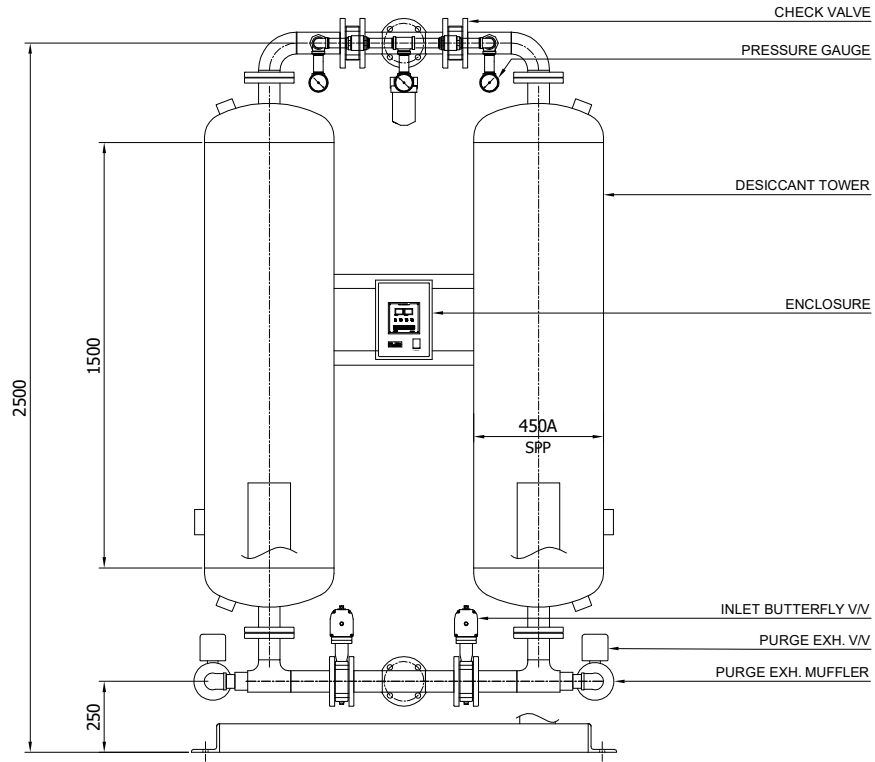
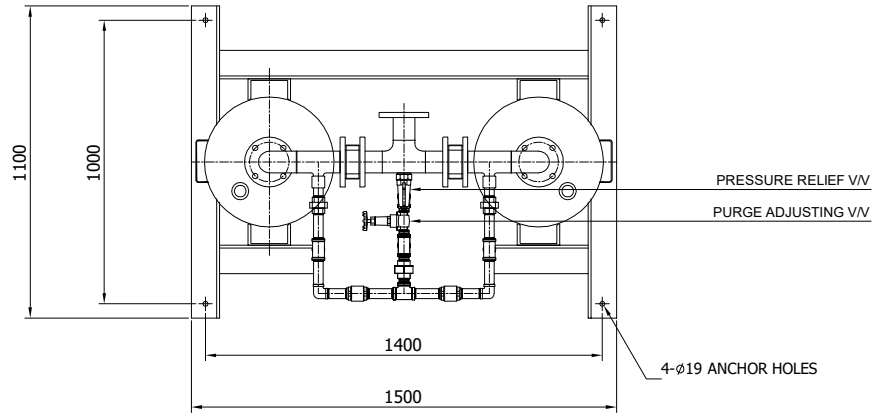
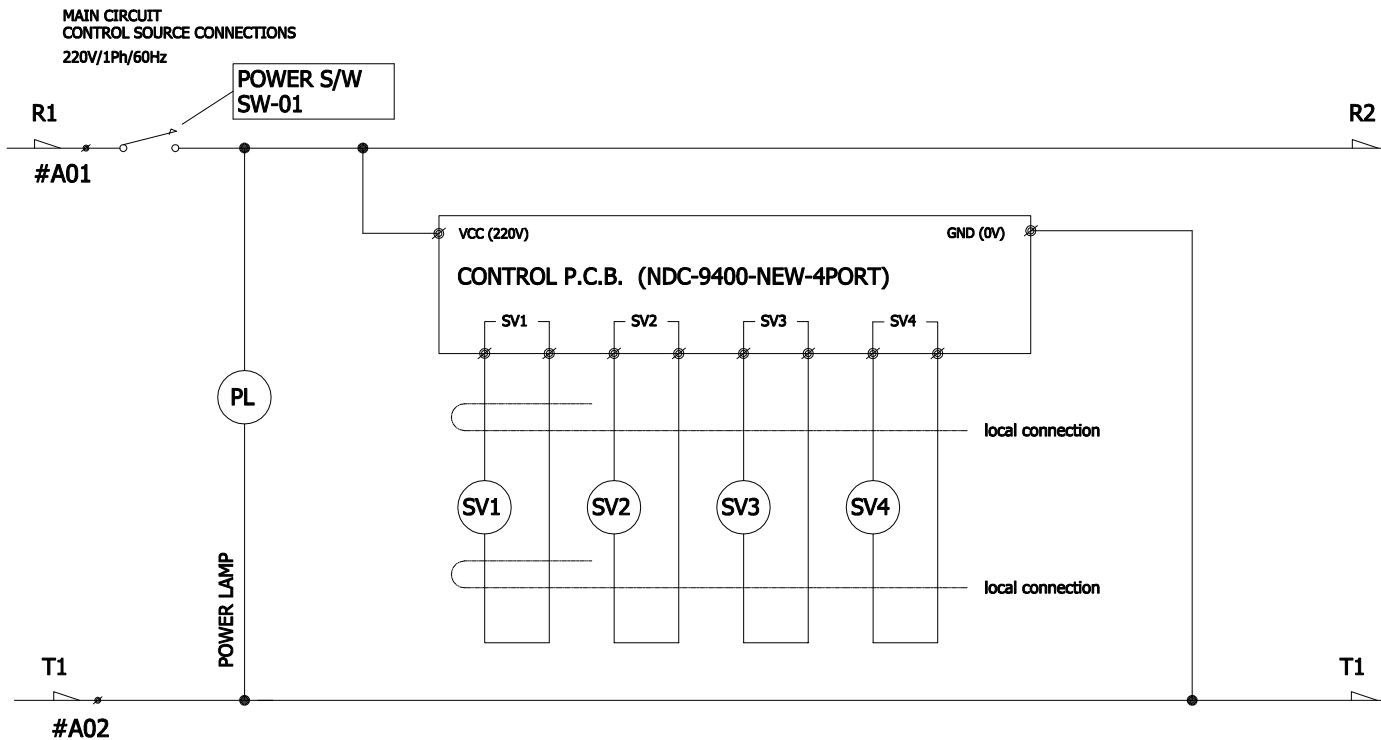
		Desiccant Air Dryer Heatless Type		Rev.	Date	Prepared By	Checked By	Approved By
				1	2019.01.15	LEE.S.M.	JO.S.J.	KIM.H.W.
Project No		-		Model Name		PHL-800		
MECHANICAL DESIGN DATA								
2	Supply Voltage	220V		Inlet Flow Rate	1,360		Nm ³ /h	
3	Phase	1PH		Inlet Pressure	7.0		barg	
4	Frequency	60Hz		Inlet Temp.	38		°C	
5	Control use	220V		Outlet Flow Rate	1,169		Nm ³ /h	
6	Fulid	Compressed Air		Outlet Pressure	6.8		barg	
7	Location	Indoor		Outlet Temp.	40		°C	
8	Design Code	Maker STD.		Pressure Drop	0.2		bar	
9	Area Class	Non-Hazardous		Outlet Dew Point	-40		°C at ATM	
10	Purge Fulid	Dried Air		Purge Rate	191		Nm ³ /h	
CONSTRUCTION								
12	Dryer Type	Heatless		Design Pressure	9.7		barg	
13	Vessels Design Code	KS B 6750-3		Design Temperature	250		°C	
14	Vessels Corrosion Allowance	1 mm		Ambient Temperature	38		°C	
15	Desiccant	Activated Alumina		Drying Time	5		min	
16	Desiccant Quantity	400 kg/2Tower		Reactivation Time	4		min	
17	Noise	85 dBA		- Heating Time	N/A		min	
18	Inlet Connection	65A	KS 10K SO.FF.	- Cooling Time	N/A		min	
19	Outlet Connection	65A	KS 10K SO.FF.	- Repressing Time	1		min	
20	Material			Heater Type	Location	N/A		
21	- Shell / Head	SPP / SS275			Method	N/A		
22	- Flange / Pipe	SS275 / SPP		Heater Power	Main	N/A	kW	
23	- Heater(Shell/Head)	N/A			Aux.	N/A	kW	
24	Dimension (W x L x H)	1500 X 1100 X 2600 mm		Control Panel Power	50		W	
25	Weight	900 kg		Blower Power	N/A		kW	
26	Color (Munsell)	3.0 BG 7.1/0.2		Power Consumption(Avg.)	50		W	
27	Insulation	NO		Control Unit	Printed Circuit Board (P.C.B)			
28				Enclosure Control Panel	IP23			
INSTRUMENTS-ACESSORIES								
30	Pressure Gauge	YES						
31	Pressure Switch	NO						
32	Orifice	YES						
33	Pressure Regulator For Control Air	NO						
34	Instrument Air Filter	YES						
35								
OPTION ITEM								
37	Touch Screen	NO						
38	Valve Limit Switch	NO						
39	Dew Point Meter	NO						
40	Local Control Panel Double Door	NO						
41	Anchor Bolt / Nut	NO						
NOTES								
43								
44								
45								
46								


POWER SOURCE AC 220V, 1Ph, 50/60Hz			
19	OUTLET	FLG. 65A	1
18	INLET	FLG. 65A	1
17	CONTROL BOARD	PCB	1
16	ENCLOSURE	-	1
15	DESICCANT TOWER	-	2
14	PURGE EXH. SOL. V/V	-	2
13	PURGE EXH. V/V	PT 40A	2
12	PURGE EXH. MUFFLER	PT 40A	2
11	INLET BUTTERFLY VALVE	FLG. 65A	2
10	TOWER SELECTING SOL. V/V	4W 2P	1
9	PRESSURE RELIEF V/V	PT 32A	1
8	POWER ON/OFF SWITCH	250V 6A	1
7	INSTRUMENT AIR FILTER	PT 15A	1
6	PURGE PRESSURE GAUGE	PT 8A	1
5	PURGE ORIFICE UNION	PT 25A	1
4	PURGE ADJUSTING V/V	PT 25A	1
3	TOWER PRESSURE GAUGE	PF 8A	2
2	PURGE CHECK V/V	PT 25A	2
1	OUTLET CHECK V/V	FLG. 65A	2
NO.	PART NAME	DESC.	QTY



△										
△										
△										
△										
△										
△	2018.12.10	ISSUED FOR PROPOSAL	-	-	-	-	-	-	-	
REV. NO.	DATE	DESCRIPTION	DWG	CHK	APPD	APPD	APPD	APPD	APPD	
PROJECT										
MANUFACTURER										
TITLE										
PHL-800 OUTLINE										
ITEM NO.	PHL-800	DWG NO.								REV.
SCALE	NONE	GSA-PHL-0800-01							△	



SV1	B-TOWER INLET
SV2	B-TOWER PURGE
SV3	A-TOWER INLET
SV4	A-TOWER PURGE

△									
△									
△									
△									
△									
△	2018.12.10	ISSUED FOR PROPOSAL	-	-	-	-	-	-	-
REV. NO.	DATE	DESCRIPTION	DWG	CHK	APPD	APPD	APPD	APPD	APPD
PROJECT									
MANUFACTURER									
 Global Standard Air & Gas									
TITLE									
PHL-800 WIRING									
ITEM NO.	PHL-800	DWG NO.		REV.					
SCALE	NONE	GSA-PHL-0800-03		△					