
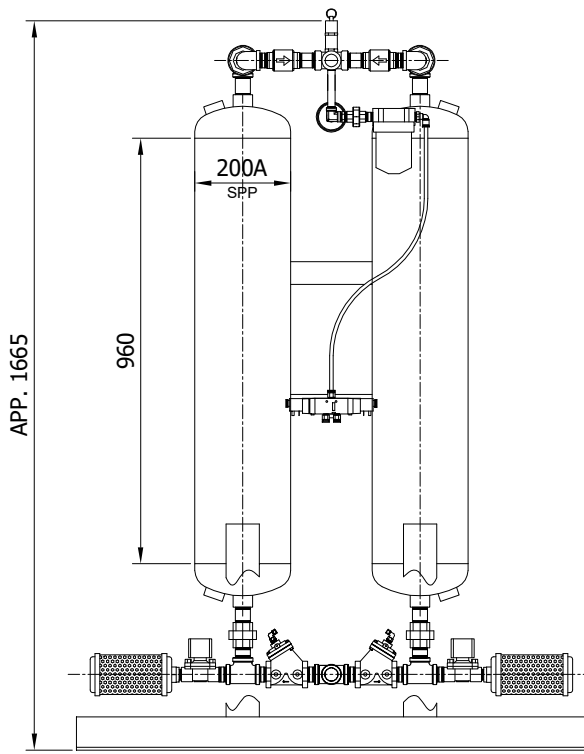
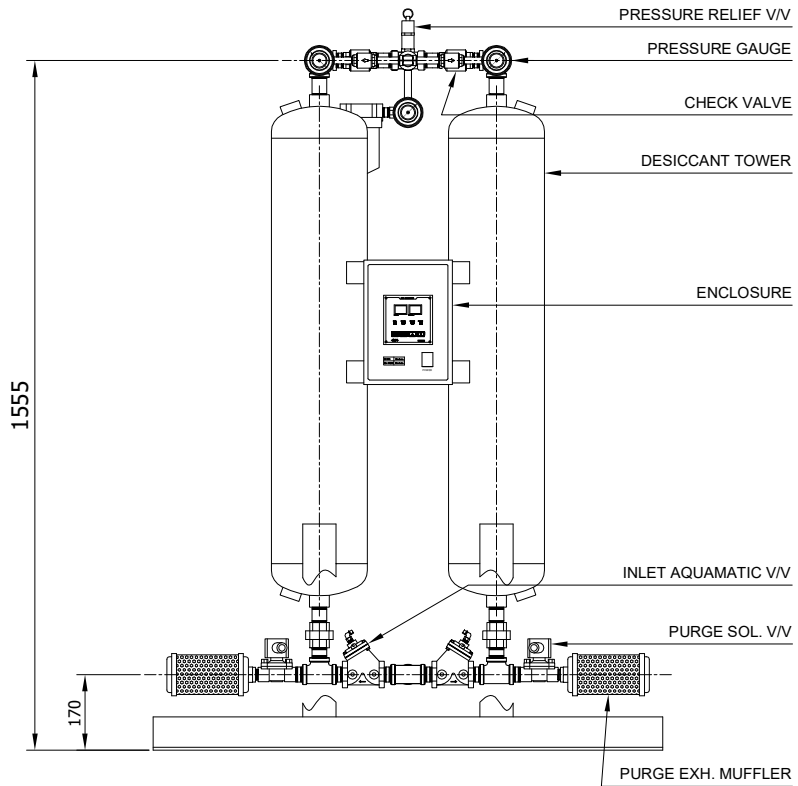
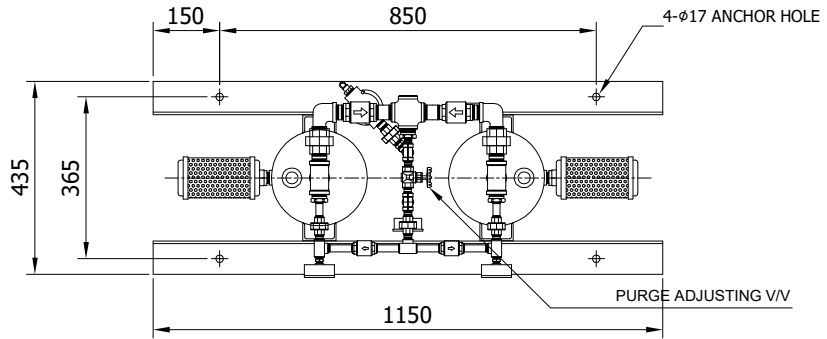

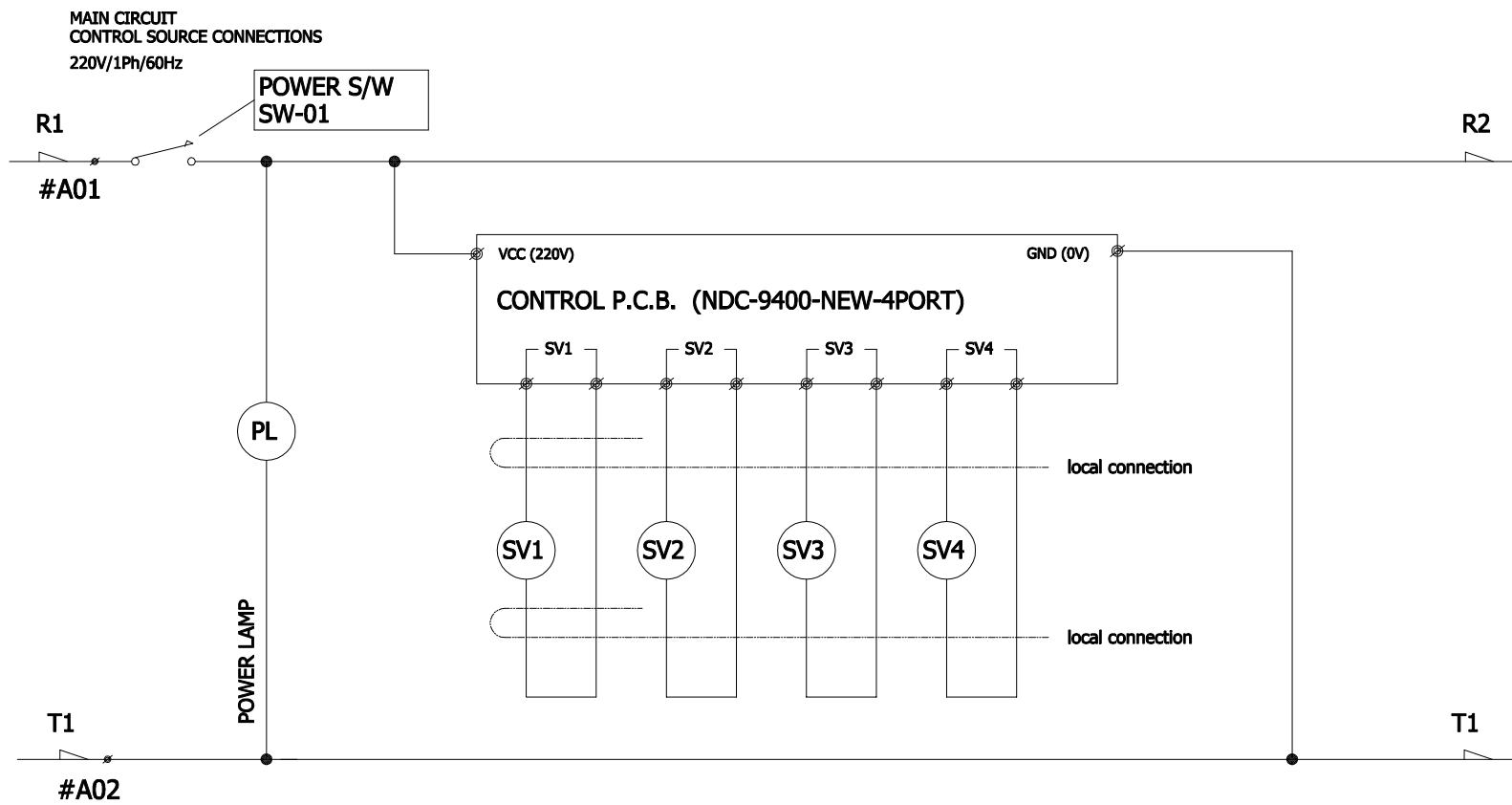


|  | | Desiccant Air Dryer Heatless Type | | Rev. | Date | Prepared By | Checked By | Approved By |
|---|------------------------------------|--|-----------------|-------------------------|-------------------------------|--------------------|------------|-------------|
| | | | | A | 2019.01.15 | LEE.S.M. | JO.S.J. | KIM.H.W. |
| Project No | | - | | Model Name | | PHL-75 | | |
| MECHANICAL DESIGN DATA | | | | | | | | |
| 2 | Supply Voltage | 220V | | Inlet Flow Rate | 130 | Nm ³ /h | | |
| 3 | Phase | 1PH | | Inlet Pressure | 7.0 | barg | | |
| 4 | Frequency | 60Hz | | Inlet Temp. | 38 | °C | | |
| 5 | Control use | 220V | | Outlet Flow Rate | 111 | Nm ³ /h | | |
| 6 | Fulid | Compressed Air | | Outlet Pressure | 6.8 | barg | | |
| 7 | Location | Indoor | | Outlet Temp. | 40 | °C | | |
| 8 | Design Code | Maker STD. | | Pressure Drop | 0.2 | bar | | |
| 9 | Area Class | Non-Hazardous | | Outlet Dew Point | -40 | °C at ATM | | |
| 10 | Purge Fulid | Dried Air | | Purge Rate | 19 | Nm ³ /h | | |
| CONSTRUCTION | | | | | | | | |
| 12 | Dryer Type | Heatless | | Design Pressure | 9.7 | barg | | |
| 13 | Vessels Design Code | KS B 6750-3 | | Design Temperature | 250 | °C | | |
| 14 | Vessels Corrosion Allowance | 1 | mm | Ambient Temperature | 38 | °C | | |
| 15 | Desiccant | Activated Alumina | | Drying Time | 5 | min | | |
| 16 | Desiccant Quantity | 40 | kg/2Tower | Reactivation Time | 4 | min | | |
| 17 | Noise | 85 | dBA | - Heating Time | N/A | min | | |
| 18 | Inlet Connection | 20A | PT Female Screw | - Cooling Time | N/A | min | | |
| 19 | Outlet Connection | 20A | PT Female Screw | - Repressing Time | 1 | min | | |
| 20 | Material | | | Heater Type | Location | N/A | | |
| 21 | - Shell / Head | SPP / SS275 | | | Method | N/A | | |
| 22 | - Flange / Pipe | SS275 / SPP | | Heater Power | Main | N/A | kW | |
| 23 | - Heater(Shell/Head) | N/A | | | Aux. | N/A | kW | |
| 24 | Dimension (W x L x H) | 1150 X 435 X 1665 | mm | Control Panel Power | 50 | W | | |
| 25 | Weight | 160 | kg | Blower Power | N/A | kW | | |
| 26 | Color (Munsell) | 3.0 BG 7.1/0.2 | | Power Consumption(Avg.) | 50 | W | | |
| 27 | Insulation | NO | | Control Unit | Printed Circuit Board (P.C.B) | | | |
| 28 | | | | Enclosure Control Panel | IP23 | | | |
| INSTRUMENTS-ACESSORIES | | | | | | | | |
| 30 | Pressure Gauge | YES | | | | | | |
| 31 | Pressure Switch | NO | | | | | | |
| 32 | Orifice | YES | | | | | | |
| 33 | Pressure Regulator For Control Air | NO | | | | | | |
| 34 | Instrument Air Filter | YES | | | | | | |
| 35 | | | | | | | | |
| OPTION ITEM | | | | | | | | |
| 37 | Touch Screen | NO | | | | | | |
| 38 | Valve Limit Switch | NO | | | | | | |
| 39 | Dew Point Meter | NO | | | | | | |
| 40 | Local Control Panel Double Door | NO | | | | | | |
| 41 | Anchor Bolt / Nut | NO | | | | | | |
| NOTES | | | | | | | | |
| 43 | | | | | | | | |
| 44 | | | | | | | | |
| 45 | | | | | | | | |
| 46 | | | | | | | | |




| POWER SOURCE AC 220V, 1Ph, 50/60Hz | | | |
|---------------------------------------|--------------------------|---------|-----|
| NO. | PART NAME | DESC. | QTY |
| 18 | OUTLET | PT 20A | 1 |
| 17 | INLET | PT 20A | 1 |
| 16 | CONTROL BOARD | PCB | 1 |
| 15 | ENCLOSURE | - | 1 |
| 14 | DESICCANT TOWER | - | 2 |
| 13 | PURGE SOL. V/V | PT 20A | 2 |
| 12 | PURGE EXH. MUFFLER | PT 20A | 2 |
| 11 | INLET AQUAMATIC V/V | PT 20A | 2 |
| 10 | TOWER SELECTING SOL. V/V | 4W 2P | 1 |
| 9 | PRESSURE RELIEF V/V | PT 10A | 1 |
| 8 | POWER ON/OFF SWITCH | 250V 6A | 1 |
| 7 | INSTRUMENT AIR FILTER | PT 10A | 1 |
| 6 | PURGE PRESSURE GAUGE | PT 8A | 1 |
| 5 | PURGE ORIFICE UNION | PT 15A | 1 |
| 4 | PURGE ADJUSTING V/V | PT 15A | 1 |
| 3 | TOWER PRESSURE GAUGE | PF 8A | 2 |
| 2 | PURGE CHECK V/V | PT 15A | 2 |
| 1 | OUTLET CHECK V/V | PT 20A | 2 |

| | | | | | | | | | | |
|--|------------|------------------------|-----|-----|------|------|------|------|------|------|
| △ | | | | | | | | | | |
| △ | | | | | | | | | | |
| △ | | | | | | | | | | |
| △ | | | | | | | | | | |
| △ | | | | | | | | | | |
| △ | 2018.12.10 | ISSUED FOR PROPOSAL | - | - | - | - | - | - | - | |
| REV. NO. | DATE | DESCRIPTION | DWG | CHK | APPD | APPD | APPD | APPD | APPD | |
| PROJECT | | | | | | | | | | |
| MANUFACTURER | | | | | | | | | | |
|  Global Standard Air & Gas | | | | | | | | | | |
| TITLE | | | | | | | | | | |
| PHL-75 OUTLINE | | | | | | | | | | |
| ITEM NO. | PHL-75 | DWG NO. | | | | | | | | REV. |
| SCALE | NONE | GSA-PHL-0075-01 | | | | | | | △ | |



| | |
|-----|---------------|
| SV1 | B-TOWER INLET |
| SV2 | B-TOWER PURGE |
| SV3 | A-TOWER INLET |
| SV4 | A-TOWER PURGE |

| | | | | | | | | | | |
|--|--------|---------------------|-----|-----|------|------|------|------|------|------|
| △ | | | | | | | | | | |
| △ | | | | | | | | | | |
| △ | | | | | | | | | | |
| △ | | | | | | | | | | |
| △ | | | | | | | | | | |
| REV. NO. | DATE | DESCRIPTION | DWG | CHK | APPD | APPD | APPD | APPD | APPD | |
| 2018.12.10 | | ISSUED FOR PROPOSAL | - | - | - | - | - | - | - | |
| PROJECT | | | | | | | | | | |
| MANUFACTURER | | | | | | | | | | |
|  Global Standard Air & Gas | | | | | | | | | | |
| TITLE | | | | | | | | | | |
| PHL-75 WIRING | | | | | | | | | | |
| ITEM NO. | PHL-75 | DWG NO. | | | | | | | | REV. |
| SCALE | NONE | GSA-PHL-0075-03 | | | | | | | △ | |