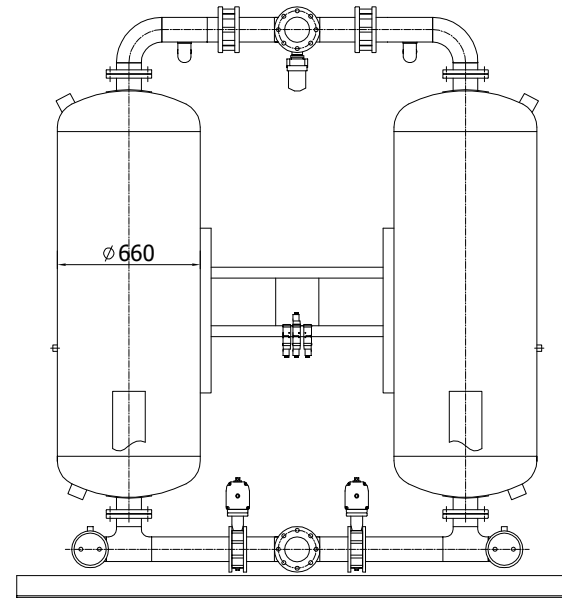
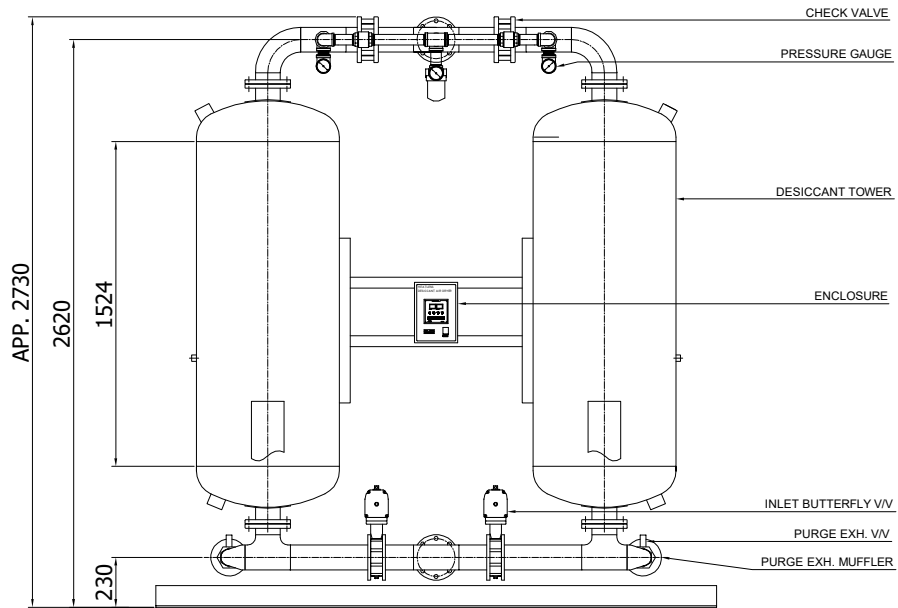
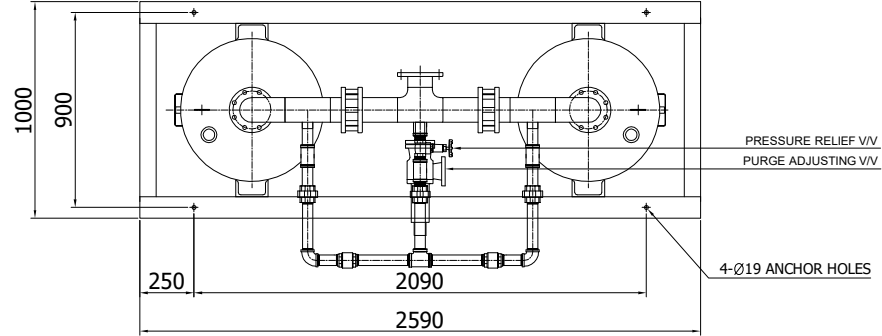

	Desiccant Air Dryer		Rev.	Date	Prepared By	Checked By	Approved By
			1	2019.01.15	LEE.S.M.	JO.S.J.	KIM.H.W.
	Heatless Type		2				
			3				
4							
Project No		-		Model Name		PHL-1800	
MECHANICAL DESIGN DATA							
2	Supply Voltage	220V		Inlet Flow Rate	3,060		Nm ³ /h
3	Phase	1PH		Inlet Pressure	7.0		barg
4	Frequency	60Hz		Inlet Temp.	38		°C
5	Control use	220V		Outlet Flow Rate	2,631		Nm ³ /h
6	Fulid	Compressed Air		Outlet Pressure	6.8		barg
7	Location	Indoor		Outlet Temp.	40		°C
8	Design Code	Maker STD.		Pressure Drop	0.2		bar
9	Area Class	Non-Hazardous		Outlet Dew Point	-40		°C at ATM
10	Purge Fulid	Dried Air		Purge Rate	429		Nm ³ /h
CONSTRUCTION							
12	Dryer Type	Heatless		Design Pressure	9.7		barg
13	Vessels Design Code	KS B 6750-3		Design Temperature	250		°C
14	Vessels Corrosion Allowance	1 mm		Ambient Temperature	38		°C
15	Desiccant	Activated Alumina		Drying Time	5		min
16	Desiccant Quantity	860 kg/2Tower		Reactivation Time	4		min
17	Noise	85 dBA		- Heating Time	N/A		min
18	Inlet Connection	100A	KS 10K SO.FF.	- Cooling Time	N/A		min
19	Outlet Connection	100A	KS 10K SO.FF.	- Repressing Time	1		min
20	Material			Heater Type	Location	N/A	
21	- Shell / Head	SS275 / SS275			Method	N/A	
22	- Flange / Pipe	SS275 / SPP		Heater Power	Main	N/A	kW
23	- Heater(Shell/Head)	N/A			Aux.	N/A	kW
24	Dimension (W x L x H)	2590 X 1000 X 2730 mm		Control Panel Power	50		W
25	Weight	2,205 kg		Blower Power	N/A		kW
26	Color (Munsell)	3.0 BG 7.1/0.2		Power Consumption(Avg.)	50		W
27	Insulation	NO		Control Unit	Printed Circuit Board (P.C.B)		
28				Enclosure Control Panel	IP23		
INSTRUMENTS-ACESSORIES							
30	Pressure Gauge	YES					
31	Pressure Switch	NO					
32	Orifice	YES					
33	Pressure Regulator For Control Air	NO					
34	Instrument Air Filter	YES					
35							
OPTION ITEM							
37	Touch Screen	NO					
38	Valve Limit Switch	NO					
39	Dew Point Meter	NO					
40	Local Control Panel Double Door	NO					
41	Anchor Bolt / Nut	NO					
NOTES							
43							
44							
45							
46							

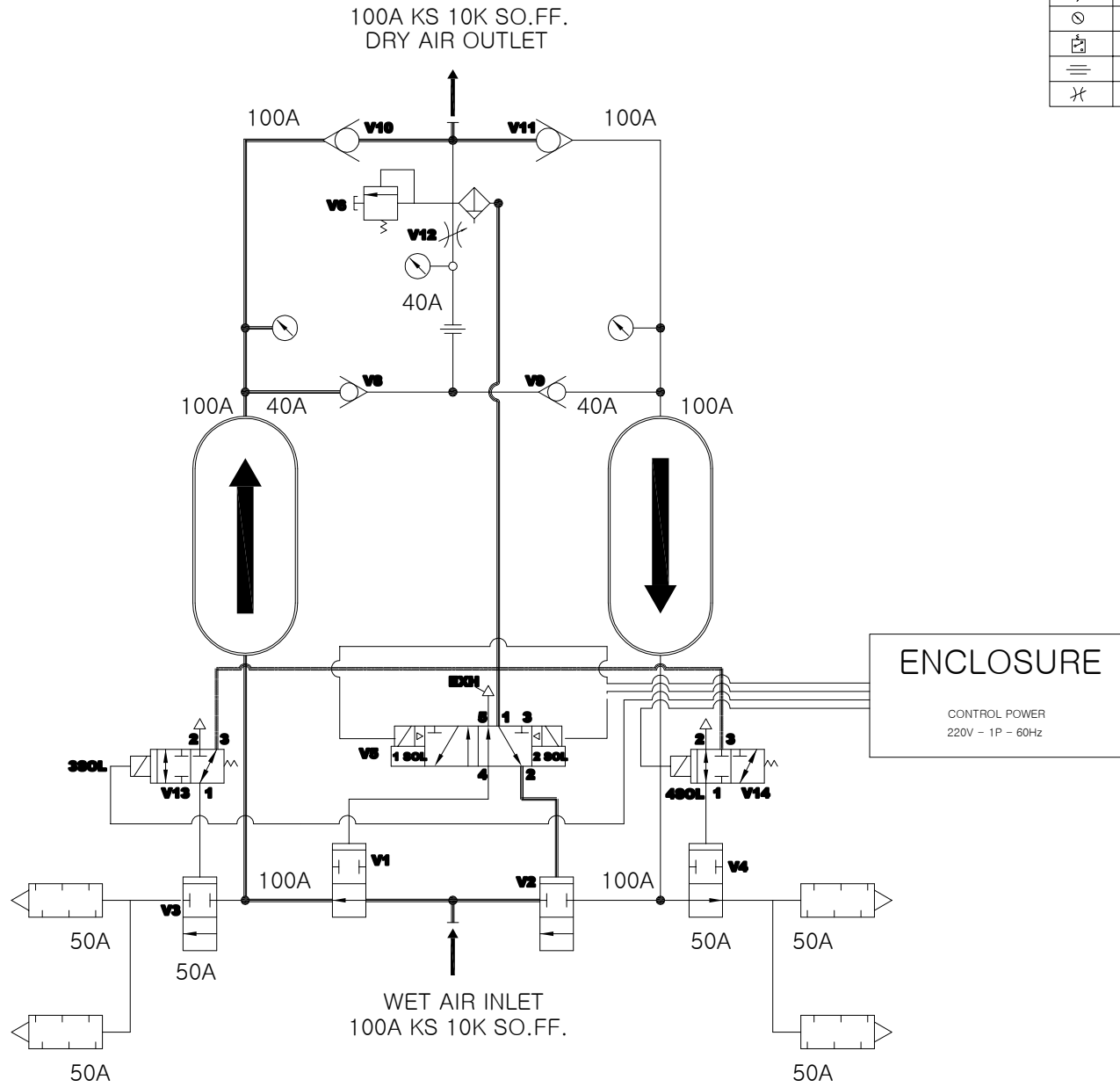


NO.	PART NAME	DESC.	QTY
POWER SOURCE AC 220V, 1Ph, 50/60Hz			
19	OUTLET	FLG. 100A	1
18	INLET	FLG. 100A	1
17	CONTROL BOARD	PCB	1
16	ENCLOSURE	-	1
15	DESICCANT TOWER	-	2
14	PURGE EXH. SOL. V/V	-	2
13	PURGE EXH. V/V	PT 50A	2
12	PURGE EXH. MUFFLER	PT 50A	2
11	INLET BUTTERFLY VALVE	FLG. 100A	2
10	TOWER SELECTING SOL. V/V	4W 2P	1
9	PRESSURE RELIEF VALVE	FLG. 32A	1
8	POWER ON/OFF SWITCH	250V 6A	1
7	INSTRUMENT AIR FILTER	PT 15A	1
6	PURGE PRESSURE GAUGE	PT 8A	1
5	PURGE ORIFICE UNION	PT 40A	1
4	PURGE ADJUSTMENT VALVE	PT 40A	1
3	TOWER PRESSURE GAUGE	PF 8A	2
2	PURGE CHECK VALVE	PT 40A	2
1	OUTLET CHECK VALVE	FLG. 100A	2

APP. 2730

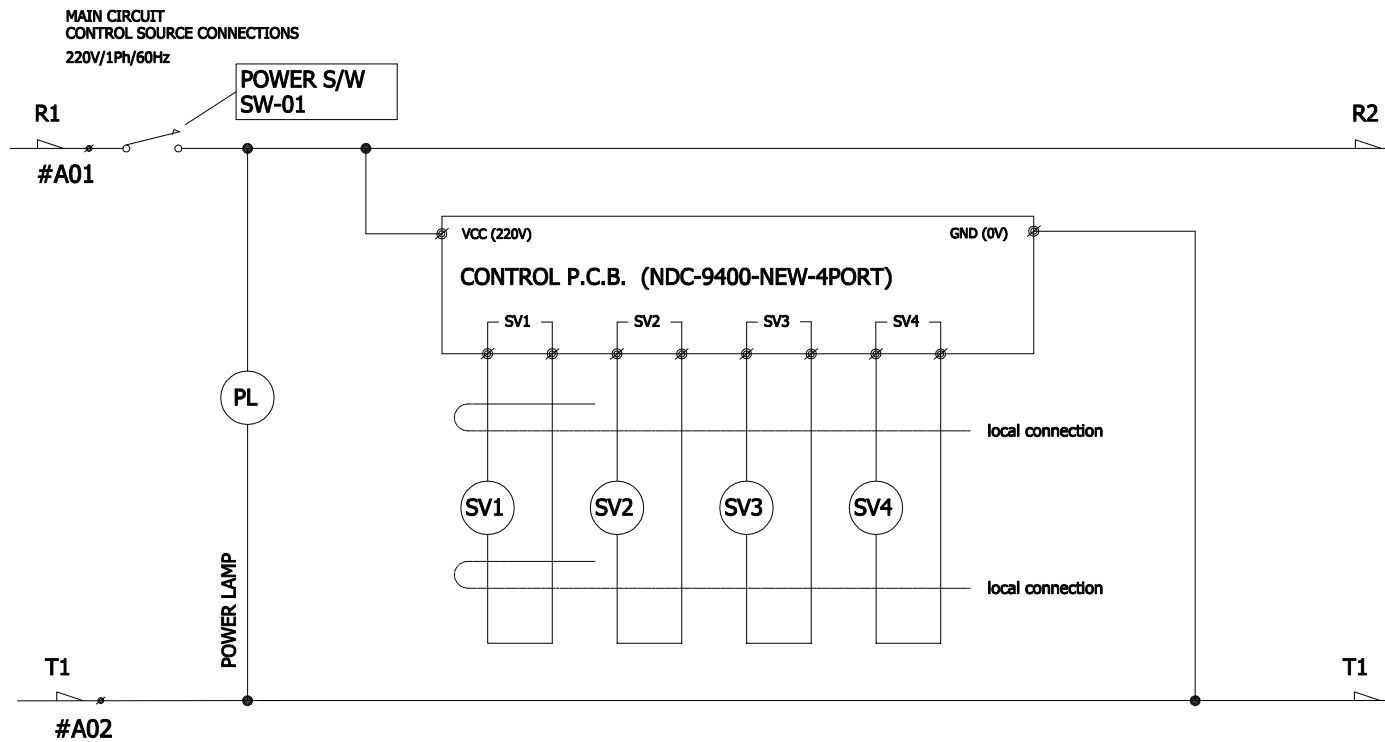
△										
△										
△										
△										
△										
△	2018.12.10	ISSUED FOR PROPOSAL	-	-	-	-	-	-	-	
REV. NO.	DATE	DESCRIPTION	DWG	CHK	APPD	APPD	APPD	APPD		
PROJECT										
MANUFACTURER										
 Global Standard Air & Gas										
TITLE										
PHL-1800 OUTLINE										
ITEM NO.	PHL-1800	DWG NO.								REV.
SCALE	NONE	GSA-PHL-1800-01							△	

SYMBOL	DESCRIPTION	NO.	NOTE	
	CHECK VALVE	1	LINE SYMBOLS FOR FLOW DIRECTION. — LEFT TOWER DRYING — RIGHT TOWER REGENERATING — PILOT AIR LINE — ELECTRIC CONNECTION	
	MUFFLER	2		SOLENOID VALVES 1SOL AND 4SOL ARE SHOWN ENERGIZED. SOLENOID VALVES 2SOL AND 3SOL ARE SHOWN DE-ENERGIZED.
	SAFETY VALVE	3		
	PRESSURE GAUGE			** INDICATES OPTIONAL PARTS FOR HIGH D.P. ALARM OR DEMAND CYCLE.
	PRESSURE SWITCH			
	ORIFICE			
	GATE VALVE			




NO.	DESCRIPTION
18	D.P. SENSOR ISOLATION VALVE(V14)
17	DEW POINT SENSOR ASSEMBLY
16	D.P. SENSOR PREFILTER
15	D.P. SENSOR ISOLATION VALVE(V13)
14	PURGE EXH. PILOT SOLENOID VALVE
13	DESICCANT TOWERS
12	AIR FILTER FOR VALVE CONTROL
11	PURGE FLOW ADJUSTMENT VALVE(V12)
10	PURGE FLOW ORIFICE
9	PURGE PRESSURE GAUGE
8	TOWER PRESSURE GAUGES
7	OUTLET CHECK VALVE(V10/V11)
6	PURGE CHECK VALVE(V8/V9)
5	TOWER SAFETY RELIEF VALVE(V6/V7)
4	TOWER SELECTING SOL. VALVE(V5)
3	PURGE EXHAUST MUFFLER
2	PURGE EXHAUST VALVE(V3/V4)
1	INLET VALVE(V1/V2)

△											
△											
△											
△											
△											
△	2018.12.10	ISSUED FOR PROPOSAL	-	-	-	-	-	-	-	-	
REV.	DATE	DESCRIPTION	DWG	CHK	APPD	APPD	APPD	APPD	APPD	APPD	
PROJECT											
MANUFACTURER											
TITLE	PHL-1800 SYSTEM										
ITEM NO.	PHL-1800	DWG NO.								REV.	
SCALE	NONE	GSA-PHL-1800-02									



SV1	B-TOWER INLET
SV2	B-TOWER PURGE
SV3	A-TOWER INLET
SV4	A-TOWER PURGE

△										
△										
△										
△										
△										
REV.	DATE	DESCRIPTION	DWG	CHK	APPD	APPD	APPD	APPD	APPD	
PROJECT	-									
MANUFACTURER	 Global Standard Air & Gas									
TITLE	PHL-1800 WIRING									
ITEM NO.	PHL-1800	DWG NO.								REV.
SCALE	NONE	GSA-PHL-1800-03							△	