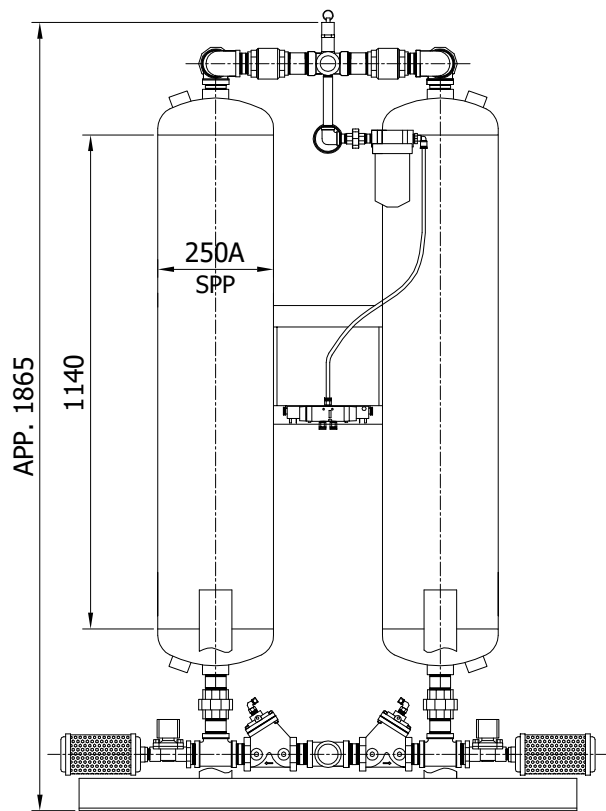
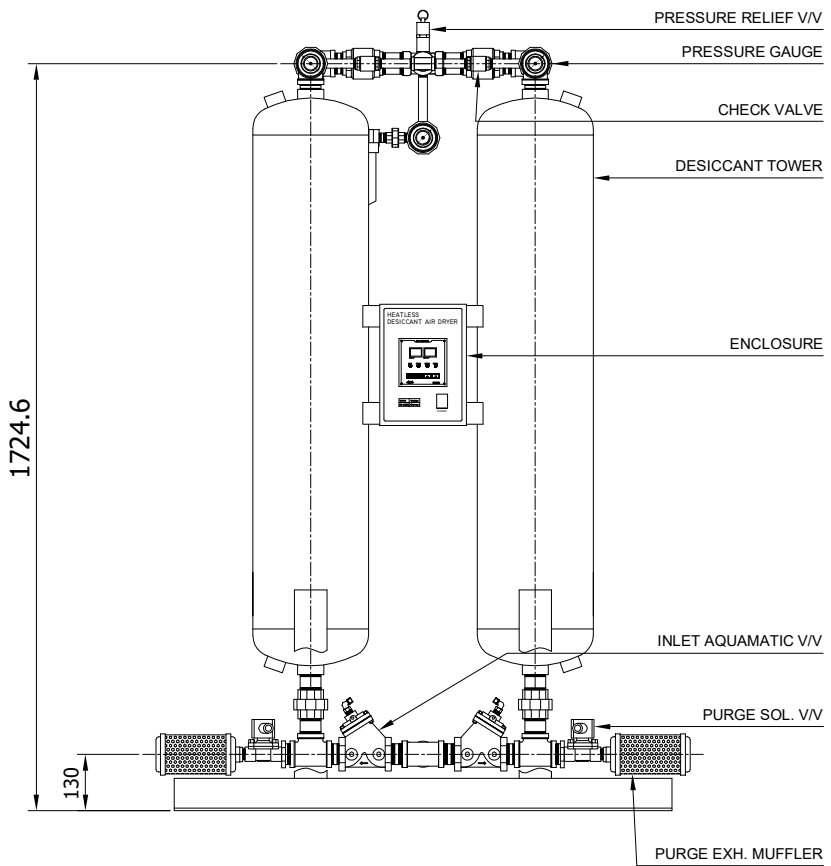
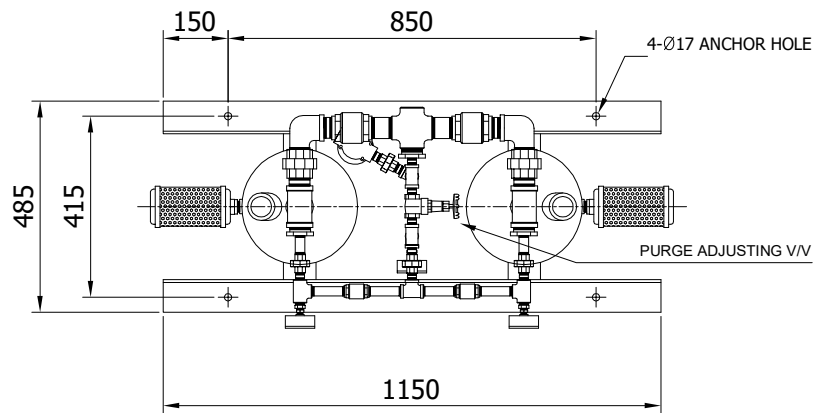

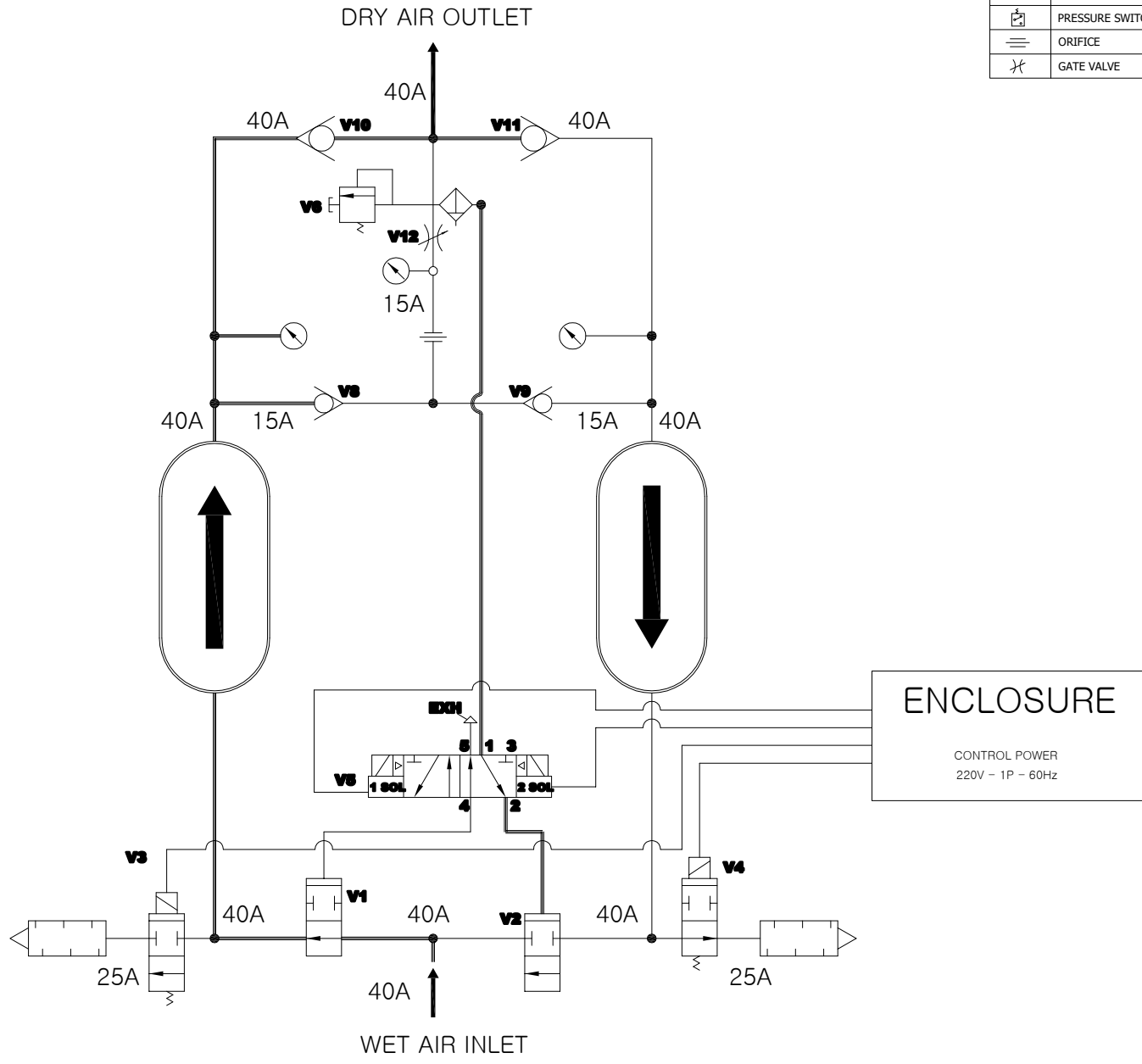
	<b>Desiccant Air Dryer</b>		Rev.	Date	Prepared By	Checked By	Approved By
			A	2019.01.15	LEE.S.M.	JO.S.J.	KIM.H.W.
	<b>Heatless Type</b>		B				
			C				
			D				
Project No		-		Model Name		PHL-175	
<b>MECHANICAL DESIGN DATA</b>							
1							
2	Supply Voltage	220V		Inlet Flow Rate	300		Nm3/h
3	Phase	1PH		Inlet Pressure	7.0		barg
4	Frequency	60Hz		Inlet Temp.	38		°C
5	Control use	220V		Outlet Flow Rate	258		Nm3/h
6	Fulid	Compressed Air		Outlet Pressure	6.8		barg
7	Location	Indoor		Outlet Temp.	40		°C
8	Design Code	Maker STD.		Pressure Drop	0.2		bar
9	Area Class	Non-Hazardous		Outlet Dew Point	-40		°C at ATM
10	Purge Fulid	Dried Air		Purge Rate	42		Nm3/h
<b>CONSTRUCTION</b>							
11							
12	Dryer Type	Heatless		Design Pressure	9.7		barg
13	Vessels Design Code	KS B 6750-3		Design Temperature	250		°C
14	Vessels Corrosion Allowance	1 mm		Ambient Temperature	38		°C
15	Desiccant	Activated Alumina		Drying Time	5		min
16	Desiccant Quantity	75 kg/2Tower		Reactivation Time	4		min
17	Noise	85 dBA		- Heating Time	N/A		min
18	Inlet Connection	40A	PT Female Screw	- Cooling Time	N/A		min
19	Outlet Connection	40A	PT Female Screw	- Repressing Time	1		min
20	Material			Heater Type	Location	N/A	
21	- Shell / Head	SPP / SS275			Method	N/A	
22	- Flange / Pipe	SS275 / SPP		Heater Power	Main	N/A	kW
23	- Heater(Shell/Head)	N/A			Aux.	N/A	kW
24	Dimension (W x L x H)	1150 X 485 X 1865 mm		Control Panel Power	50		W
25	Weight	284 kg		Blower Power	N/A		kW
26	Color (Munsell)	3.0 BG 7.1/0.2		Power Consumption(Avg.)	50		W
27	Insulation	NO		Control Unit	Printed Circuit Board (P.C.B)		
28				Enclosure Control Panel	IP23		
<b>INSTRUMENTS-ACESSORIES</b>							
29							
30	Pressure Gauge	YES					
31	Pressure Switch	NO					
32	Orifice	YES					
33	Pressure Regulator For Control Air	NO					
34	Instrument Air Filter	YES					
35							
<b>OPTION ITEM</b>							
36							
37	Touch Screen	NO					
38	Valve Limit Switch	NO					
39	Dew Point Meter	NO					
40	Local Control Panel Double Door	NO					
41	Anchor Bolt / Nut	NO					
<b>NOTES</b>							
42							
43							
44							
45							
46							



POWER SOURCE AC 220V, 1Ph, 50/60Hz			
NO.	PART NAME	DESC.	QTY
18	OUTLET	PT 40A	1
17	INLET	PT 40A	1
16	CONTROL BOARD	PCB	1
15	ENCLOSURE	-	1
14	DESICCANT TOWER	-	2
13	PURGE SOL. V/V	PT 25A	2
12	PURGE EXH. MUFFLER	PT 25A	2
11	INLET AQUAMATIC V/V	PT 40A	2
10	TOWER SELECTING SOL. V/V	4W 2P	1
9	PRESSURE RELIEF V/V	PT 20A	1
8	POWER ON/OFF SWITCH	250V 6A	1
7	INSTRUMENT AIR FILTER	PT 10A	1
6	PURGE PRESSURE GAUGE	PT 8A	1
5	PURGE ORIFICE UNION	PT 15A	1
4	PURGE ADJUSTING V/V	PT 15A	1
3	TOWER PRESSURE GAUGE	PF 8A	2
2	PURGE CHECK V/V	PT 15A	2
1	OUTLET CHECK V/V	PT 40A	2

△										
△										
△										
△										
△										
△	2018.12.10	ISSUED FOR PROPOSAL	-	-	-	-	-	-	-	
REV. NO.	DATE	DESCRIPTION	DWG	CHK	APPD	APPD	APPD			
PROJECT										
MANUFACTURER										
 Global Standard Air & Gas										
TITLE										
PHL-175 OUTLINE										
ITEM NO.	PHL-175	DWG NO.								REV.
SCALE	NONE	<b>GSA-PHL-0175-01</b>							△	

SYMBOL	DESCRIPTION	NO.	NOTE
	CHECK VALVE	1	LINE SYMBOLS FOR FLOW DIRECTION. — LEFT TOWER DRYING — RIGHT TOWER REGENERATING — PILOT AIR LINE — ELECTRIC CONNECTION
	MUFFLER	2	
	SAFETY VALVE	3	
	PRESSURE GAUGE	2	
	PRESSURE SWITCH	2	
	ORIFICE	3	SOLENOID VALVES 1SOL AND 4SOL ARE SHOWN ENERGIZED. SOLENOID VALVES 2SOL AND 3SOL ARE SHOWN DE-ENERGIZED. *** INDICATES OPTIONAL PARTS FOR HIGH D.P. ALARM OR DEMAND CYCLE.
	GATE VALVE	3	

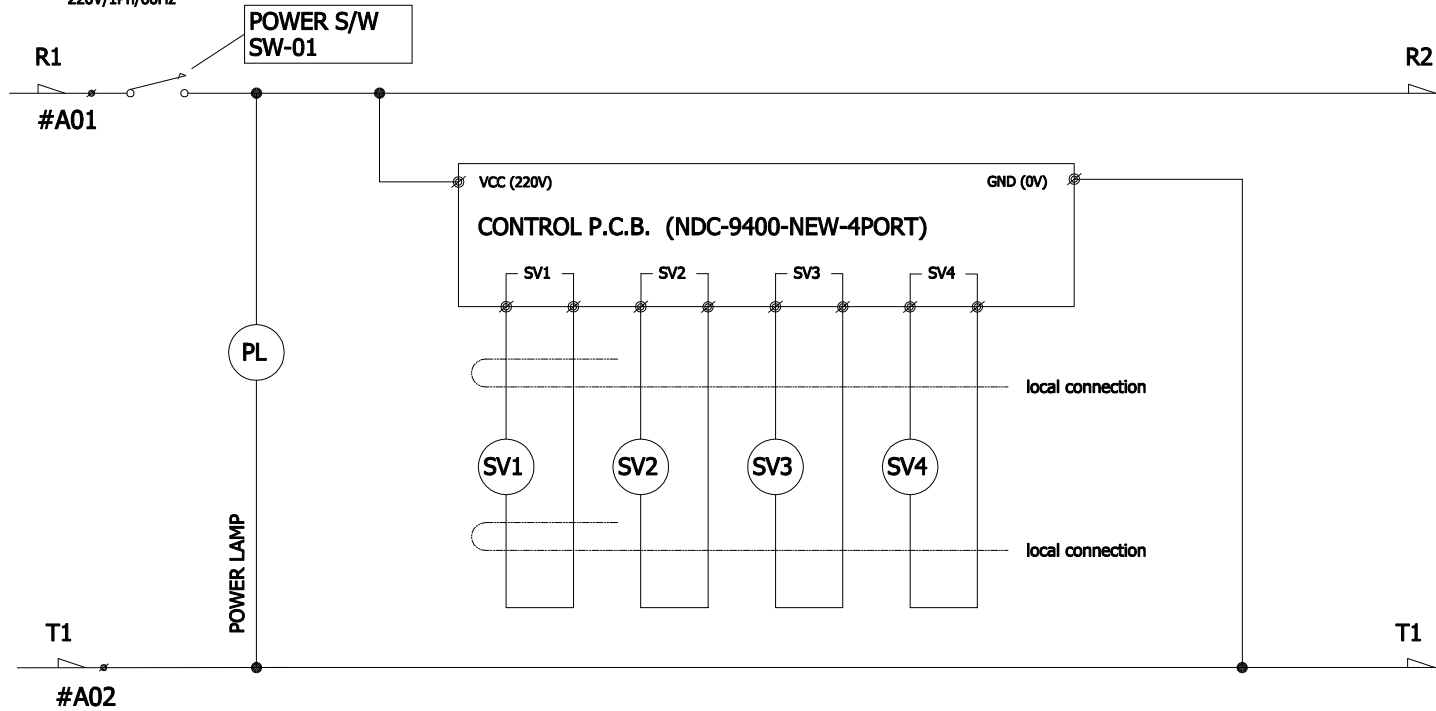


* 17	D.P. SENSOR ISOLATION VALVE(V14)
* 16	DEW POINT SENSOR ASSEMBLY
* 15	D.P. SENSOR PREFILTER
* 14	D.P. SENSOR ISOLATION VALVE(V13)
13	DESICCANT TOWERS
12	AIR FILTER FOR VALVE CONTROL
11	PURGE FLOW ADJUSTMENT VALVE(V12)
10	PURGE FLOW ORIFICE
9	PURGE PRESSURE GAUGE
8	TOWER PRESSURE GAUGES
7	OUTLET CHECK VALVE(V10/V11)
6	TOWER CHECK VALVE(V8/V9)
5	TOWER SAFETY VALVE(V6/V7)
4	TOWER SELECTING VALVE(V5)
3	PURGE EXHAUST MUFFLER
2	PURGE EXHAUST VALVE(V3/V4)
1	INLET VALVE(V1/V2)
NO.	DESCRIPTION


**ENCLOSURE**  
 CONTROL POWER  
 220V - 1P - 60Hz

△										
△										
△										
△										
△										
△	2018.12.10	ISSUED FOR PROPOSAL	-	-	-	-	-	-	-	
REV. NO.	DATE	DESCRIPTION	ENWG	CHK	APPD	APPD	APPD	APPD	APPD	
PROJECT										
MANUFACTURER										
TITLE										
PHL-175 SYSTEM										
ITEM NO.	PHL-175	DWG NO.								REV.
SCALE	NONE	<b>GSA-PHL-0175-02</b>								

MAIN CIRCUIT  
CONTROL SOURCE CONNECTIONS  
220V/1Ph/60Hz



SV1	B-TOWER INLET
SV2	B-TOWER PURGE
SV3	A-TOWER INLET
SV4	A-TOWER PURGE

△										
△										
△										
△										
△										
△										
REV. NO.	DATE	DESCRIPTION	DWG	CHK	APP'D	APP'D	APP'D			
	2018.12.10	ISSUED FOR PROPOSAL	-	-	-	-	-			
PROJECT										
MANUFACTURER										
 Global Standard Air & Gas										
TITLE										
PHL-175 WIRING										
ITEM NO.	PHL-175	DWG NO.								REV.
SCALE	NONE	<b>GSA-PHL-0175-03</b>							△	