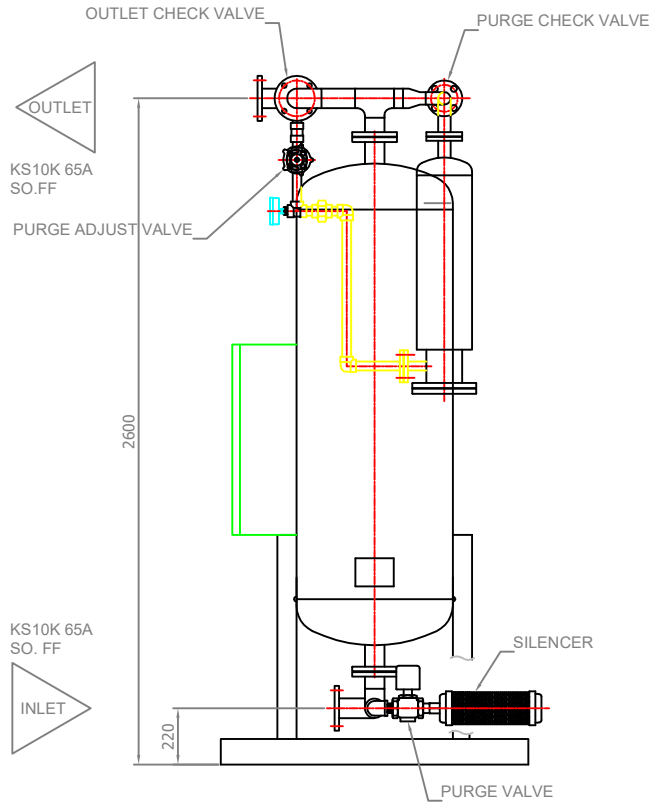
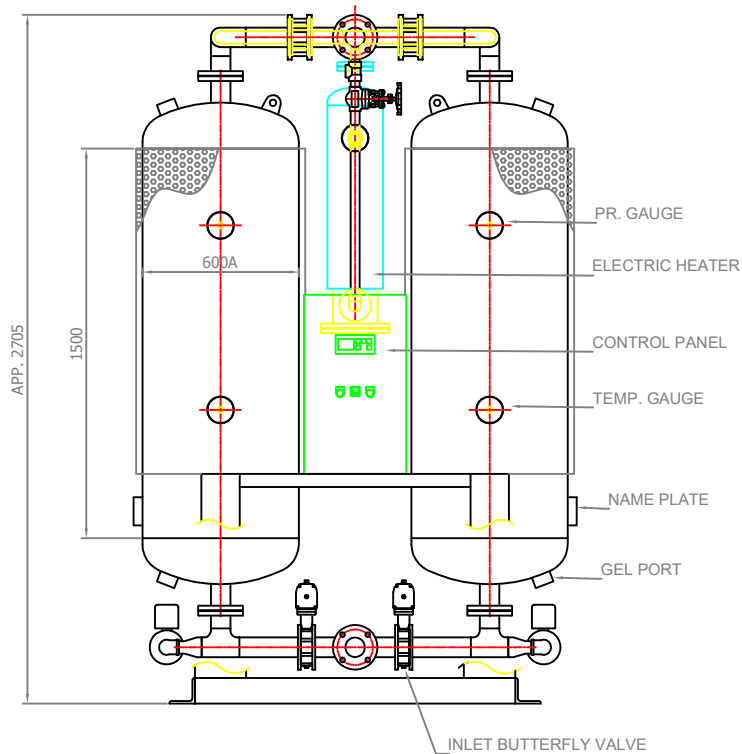
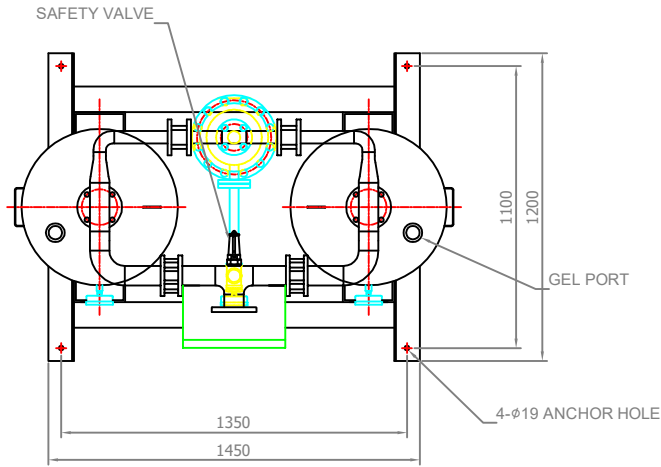
		Desiccant Air Dryer Heater Purge Type		Rev.	Date	Prepared By	Checked By	Approved By
				1	2019.01.15	LEE.S.M.	JO.S.J.	KIM.H.W.
Project No		-		Model Name		PEH-720		
MECHANICAL DESIGN DATA								
2	Supply Voltage	380V		Inlet Flow Rate	1,380		Nm ³ /h	
3	Phase	3PH		Inlet Pressure	7.0		barg	
4	Frequency	60Hz		Inlet Temp.	38		°C	
5	Control use	220V		Outlet Flow Rate	1,269		Nm ³ /h	
6	Fulid	Compressed Air		Outlet Pressure	6.8		barg	
7	Location	Indoor		Outlet Temp.	40		°C	
8	Design Code	Maker STD.		Pressure Drop	0.2		bar	
9	Area Class	Non-Hazardous		Outlet Dew Point	-40		°C at ATM	
10	Purge Fulid	Dried Air		Purge Rate	111		Nm ³ /h	
CONSTRUCTION								
12	Dryer Type	Heater		Design Pressure	9.7		barg	
13	Vessels Design Code	KS B 6750-3		Design Temperature	250		°C	
14	Vessels Corrosion Allowance	1 mm		Ambient Temperature	38		°C	
15	Desiccant	Activated Alumina		Drying Time	240		min	
16	Desiccant Quantity	520 kg/2Tower		Reactivation Time	240		min	
17	Noise	85 dBA		- Heating Time	150		min	
18	Inlet Connection	65A	KS 10K SO.FF.	- Cooling Time	87		min	
19	Outlet Connection	65A	KS 10K SO.FF.	- Repressing Time	3		min	
20	Material			Heater Type	Location	External		
21	- Shell / Head	SS275 / SS275			Method	Electric.		
22	- Flange / Pipe	SS275 / SPP		Heater Power	Main	5.5	kW	
23	- Heater(Shell/Head)	SPP / SS275			Aux.	5.3	kW	
24	Dimension (W x L x H)	1450 X 1200 X 2705 mm		Control Panel Power	50		W	
25	Weight	1,500 kg		Blower Power	N/A		kW	
26	Color (Munsell)	3.0 BG 7.1/0.2		Power Consumption(Avg.)	6.8		kW	
27	Insulation	NO		Control Unit	Printed Circuit Board (P.C.B)			
28				Enclosure Control Panel	IP23			
INSTRUMENTS-ACCESSORIES								
30	Pressure Gauge	YES		Temperature Controller	YES			
31	Temperature Gauge	YES		Pressure Switch	YES			
32	Thermocouple	YES						
33	Pressure Regulator For Control Air	YES						
34	Instrument Air Filter	YES						
35	Orifice	YES						
OPTION ITEM								
37	Touch Screen	NO		Anchor Bolt / Nut	NO			
38	Valve Limit Switch	NO						
39	Dew Point Meter	NO						
40	Local Control Panel Double Door	NO						
41	Thyristor Power Regulator (S.C.R)	NO						
NOTES								
43								
44								
45								
46								



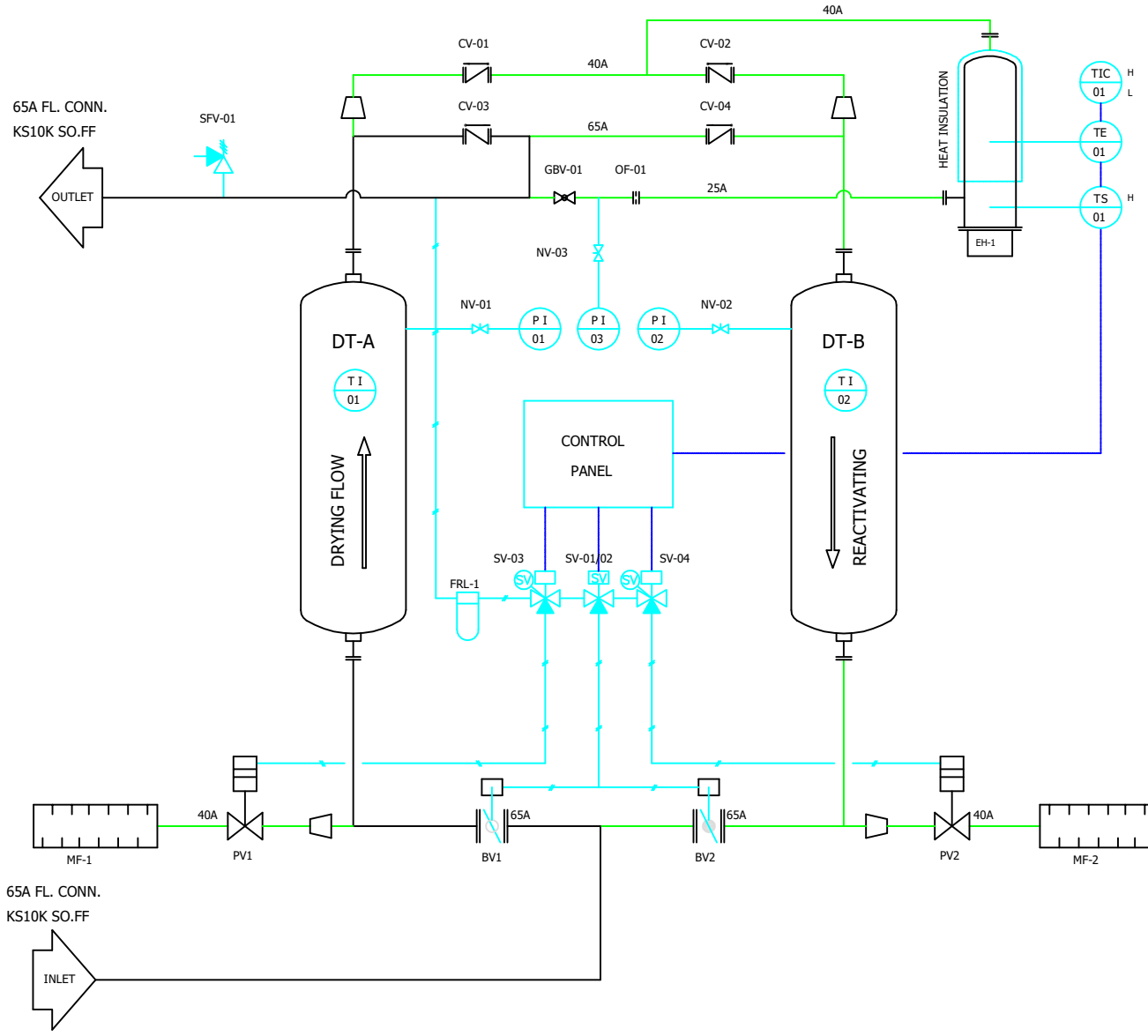
NO	DESCRIPTION	MATL	QTY	SPECIFICATION
1	ELECTRIC HEATER	-	1	10.8 kW
2	INLET BUTTERFLY VALVE	FCD	2	FLANGE 2 1/2"
3	OUTLET CHECK VALVE	BRASS	2	FLANGE 2 1/2"
4	PURGE CHECK VALVE	304	2	PT 1 1/2"
5	PURGE VALVE	C.I	2	PT 1 1/2"
6	SILENCER	-	2	PT 1 1/2"
7	PRESSURE GAUGE	C.S	3	15bar -100
8	TEMPERATURE GAUGE	C.S	2	250°C -100
9	GEL PORT	-	2	PT 2"
10	GEL PORT	-	2	PT 2"
11	SAFETY VALVE	BRASS	1	PT 1 1/4"
12	NAME PLATE	AL	2	-
13	DRYING TOWER	SPR95400	2	-
14	PURGE ADJUST VALVE	A105	1	PT 1"
15	A - TOWER INLET VALVE	-	1	-
16	B - TOWER INLET VALVE	-	1	-
17	A - TOWER PURGE VALVE	-	1	-
18	B - TOWER PURGE VALVE	-	1	-
19	CONTROL PANEL	-	1	-

SPECIFICATION		
PROCESS	COMPRESSED AIR	
CAPACITY	1380	Nm ³ /hr
INLET AIR PRESSURE	7	barg
INLET AIR TEMPERATURE	38	°C
DESIGN PRESSURE	9.7	barg
DEW POINT	-40	°C
NORMAL PURGE	111	Nm ³ /hr
POWER SUPPLY	380V-3PH-60HZ	
CONTROL POWER	220V-1PH-60HZ	
CYCLE TIME	4 + 4 HOURS	
DESICCANT	520	kg/2TOWER
HEATER	10.8	kW
COLOR	3.OBG 7.1/0.2	
WEIGHT	1500	kg

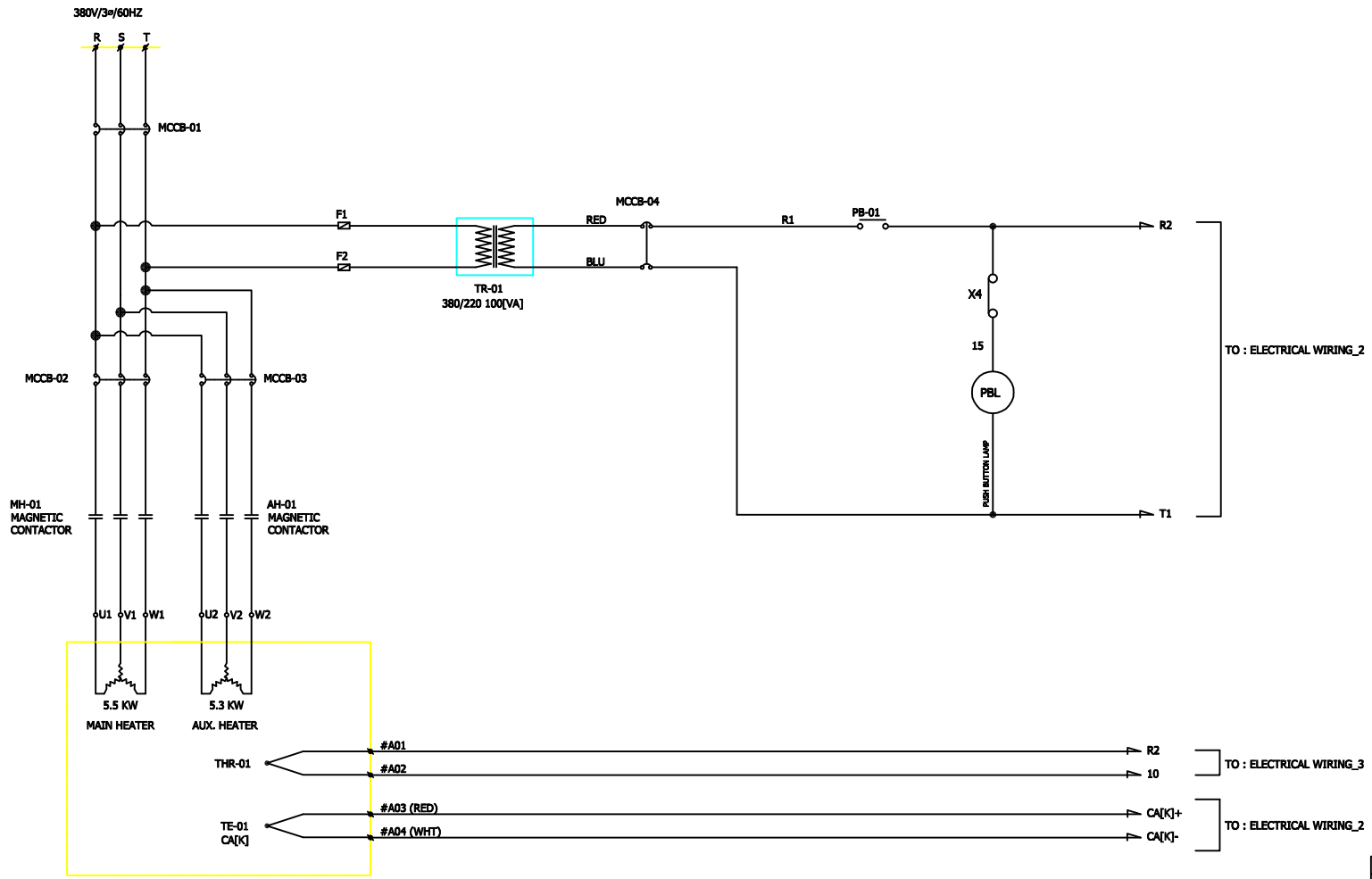
REV. NO.	DATE	DESCRIPTION	ENGR	CHK	APPD	APPD	APPD	
2018.12.10		ISSUED FOR PROPOSAL						
PROJECT								
MANUFACTURER								
TITLE								
PEH-720 OUTLINE								
ITEM NO.	PEH-720	DWG NO.	GSA-PEH-0720-01					REV.
SCALE	NONE							

SYMBOL	DESCRIPTION	REDUCING VALVE	SAFETY VALVE	AIR MAIN LINE	DT	DRYER TOWER	NV	NEEDLE VALVE	
	BALL VALVE (NOR.OPEN)				OF	ORIFICE	CV	CHECK VALVE	
	BALL VALVE (NOR.CLOSE)				TS	THERMOSTAT	GBV	GLOBE VALVE	
	GLOBE VALVE			TI	TEMPERATURE GAUGE	SV	SOLENOID VALVE	SFV	SAFETY VALVE
	NEEDLE VALVE			PI	PRESSURE GAUGE	PV	PURGE VALVE		
	CHECK VALVE			EH	ELECTRIC HEATER	FRL	AIR UNIT		
	GATE VALVE	X X		BV	BUTTERFLY VALVE	MF	SILENCER		

DESIGN DATA		
NO	DESCRIPTIONS	SPECIFICATIONS
01	MODEL NO.	PEH-720
02	APPLICATION FLUID	COMPRESSED AIR
03	FLOW RATE	1380 Nm ³ /hr
04	OUTLET DEW POINT	-40 °C @ ATM
05	WORKING PRESSURE	7.0 barg
06	INLET TEMPERATURE	38 °C
07	DRY/REGEN. CYCLE	4 HOURS + 4 HOURS
08	DESIGN PRESSURE	9.7 barg
09	DESIGN TEMP.	250 °C
10	HYDRAULIC TEST PR.	15 barg
11	INLET NOZZLE	65A KS 10K SO. FF.
12	OUTLET NOZZLE	65A KS 10K SO. FF.
13	ELECTRICITY	380V/3Ph/60Hz
14	VESSELS	DUAL/VERTICALLY ELEVATED.
15	DESICCANT	ACTIVATED ALUMINA
16	ACTIVATED ALUMINA	520 kg/2Tower
17	HEATER CAPACITY	10.8 KW



△											
△											
△											
△											
△											
△											
REV.	DATE	DESCRIPTION	ENG	CHK	APPD	APPD	APPD	APPD	APPD		
PROJECT	-										
MANUFACTURER											
TITLE	PEH-720 SYSTEM										
ITEM NO.	PEH-720	DWG NO.	GSA-PEH-0720-02							REV.	△
SCALE	NONE										

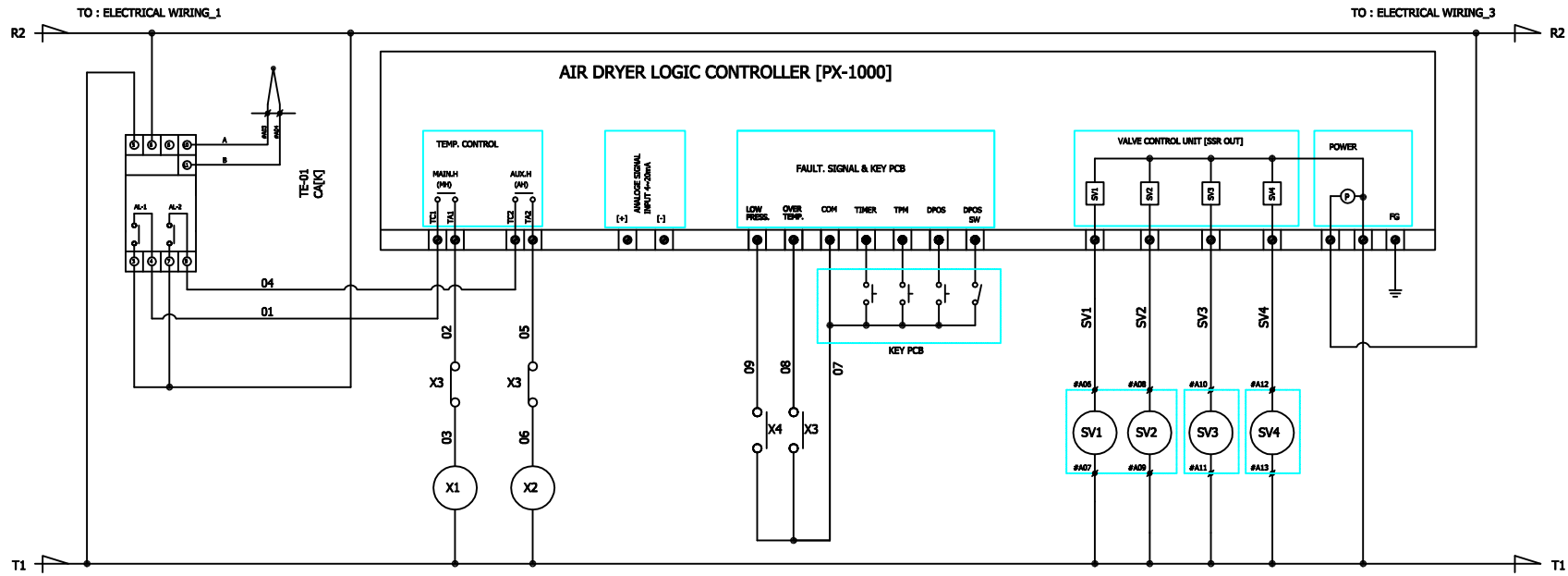


TO : ELECTRICAL WIRING_2

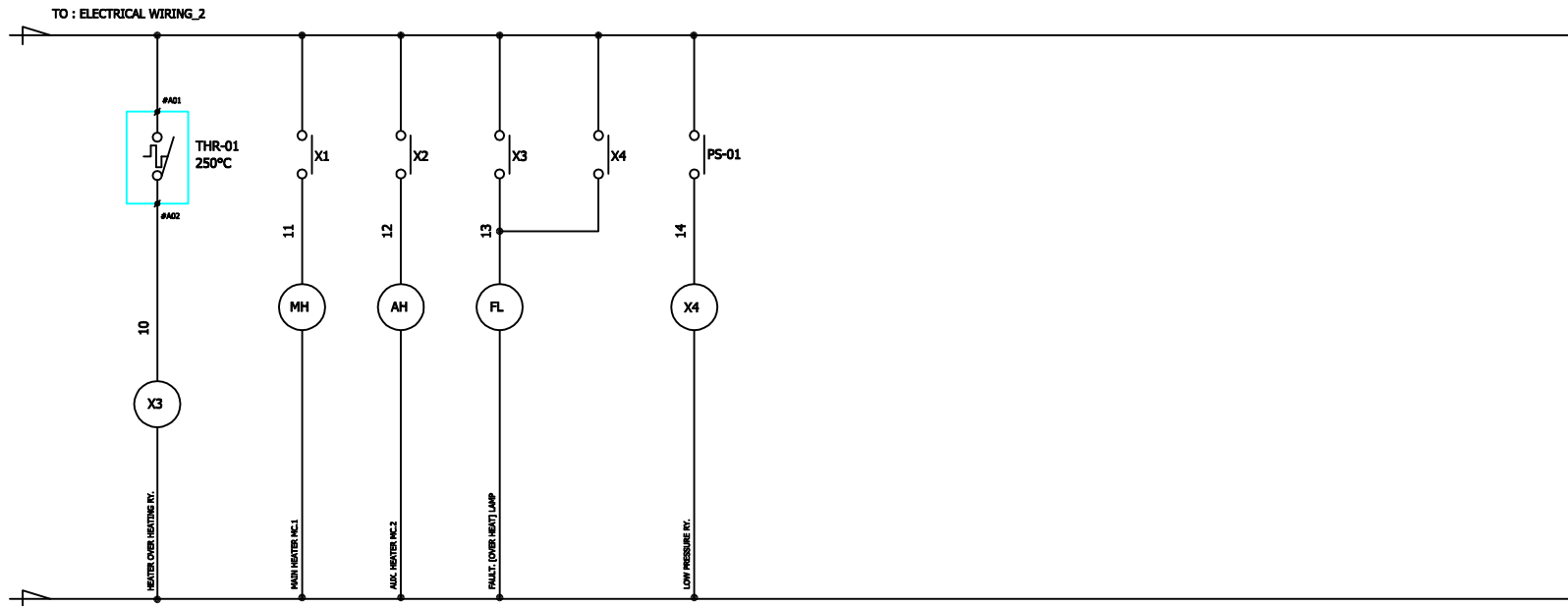
TO : ELECTRICAL WIRING_3

TO : ELECTRICAL WIRING_2

△										
△										
△										
△										
△	2018.12.10	ISSUED FOR PROPOSAL	-	-	-	-	-	-	-	
REV.	DATE	DESCRIPTION	EWG	CHK	APPD	APPD	APPD	APPD		
PROJECT										
MANUFACTURER										
TITLE										
PEH-720 WIRING										
ITEM NO.	PEH-720	DWG NO.		GSA-PEH-0720-03						REV.
SCALE	NONE									△



△										
△										
△										
△										
△										
△	2018.12.10	ISSUED FOR PROPOSAL	-	-	-	-	-	-	-	
REV.	DATE	DESCRIPTION	DWG	CHK	APPD	APPD	APPD	APPD	APPD	
PROJECT										
MANUFACTURER										
TITLE										
PEH-720 WIRING										
ITEM NO.	PEH-720	DWG NO.								REV.
SCALE	NONE	GSA-PEH-0720-04							△	



△										
△										
△										
△										
△										
△	2018.12.10	ISSUED FOR PROPOSAL	-	-	-	-	-	-	-	
REV.	DATE	DESCRIPTION	DWG	CHK	APP'D	APP'D	APP'D	APP'D		
PROJECT										
MANUFACTURER										
TITLE										
PEH-720 WIRING										
ITEM NO.	PEH-720	DWG NO.								REV.
SCALE	NONE	GSA-PEH-0720-05							△	