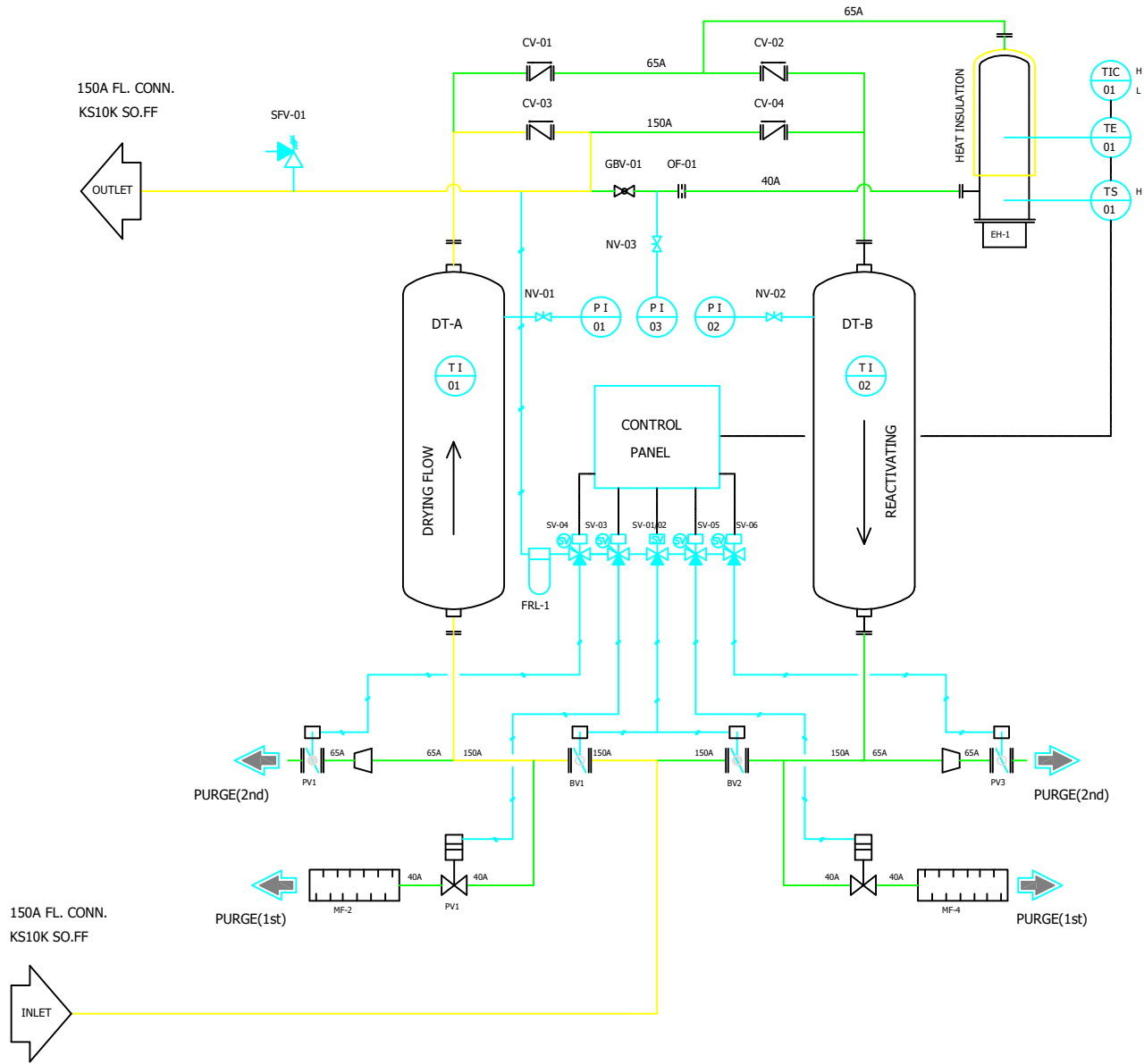
		<b>Desiccant Air Dryer</b> <b>Heater Purge Type</b>		Rev.	Date	Prepared By	Checked By	Approved By
				1	2019.01.15	LEE.S.M.	JO.S.J.	KIM.H.W.
Project No		-		Model Name		PEH-3000		
<b>MECHANICAL DESIGN DATA</b>								
2	Supply Voltage	380V		Inlet Flow Rate	5,400		Nm <sup>3</sup> /h	
3	Phase	3PH		Inlet Pressure	7.0		barg	
4	Frequency	60Hz		Inlet Temp.	38		°C	
5	Control use	220V		Outlet Flow Rate	4,968		Nm <sup>3</sup> /h	
6	Fulid	Compressed Air		Outlet Pressure	6.8		barg	
7	Location	Indoor		Outlet Temp.	40		°C	
8	Design Code	Maker STD.		Pressure Drop	0.2		bar	
9	Area Class	Non-Hazardous		Outlet Dew Point	-40		°C at ATM	
10	Purge Fulid	Dried Air		Purge Rate	432		Nm <sup>3</sup> /h	
<b>CONSTRUCTION</b>								
12	Dryer Type	Heater		Design Pressure	9.7		barg	
13	Vessels Design Code	KS B 6750-3		Design Temperature	250		°C	
14	Vessels Corrosion Allowance	1 mm		Ambient Temperature	38		°C	
15	Desiccant	Activated Alumina		Drying Time	240		min	
16	Desiccant Quantity	2,100 kg/2Tower		Reactivation Time	240		min	
17	Noise	85 dBA		- Heating Time	150		min	
18	Inlet Connection	150A	KS 10K SO.FF.	- Cooling Time	87		min	
19	Outlet Connection	150A	KS 10K SO.FF.	- Repressing Time	3		min	
20	Material			Heater Type	Location	External		
21	- Shell / Head	SS275 / SS275			Method	Electric.		
22	- Flange / Pipe	SS275 / SPP		Heater Power	Main	30	kW	
23	- Heater(Shell/Head)	SPP / SS275			Aux.	14	kW	
24	Dimension (W x L x H)	2500 X 2000 X 3110 mm		Control Panel Power	0.2		kW	
25	Weight	5,200 kg		Blower Power	N/A		kW	
26	Color (Munsell)	3.0 BG 7.1/0.2		Power Consumption(Avg.)	27.7		kW	
27	Insulation	NO		Control Unit	Programmable Logic Controller (P.L.C)			
28				Enclosure Control Panel	IP23			
<b>INSTRUMENTS-ACCESSORIES</b>								
30	Pressure Gauge	YES		Temperature Controller	YES			
31	Temperature Gauge	YES		Pressure Switch	YES			
32	Thermocouple	YES						
33	Pressure Regulator For Control Air	YES						
34	Instrument Air Filter	YES						
35	Orifice	YES						
<b>OPTION ITEM</b>								
37	Touch Screen	NO		Anchor Bolt / Nut	NO			
38	Valve Limit Switch	NO						
39	Dew Point Meter	NO						
40	Local Control Panel Double Door	NO						
41	Thyristor Power Regulator (S.C.R)	NO						
<b>NOTES</b>								
43								
44								
45								
46								

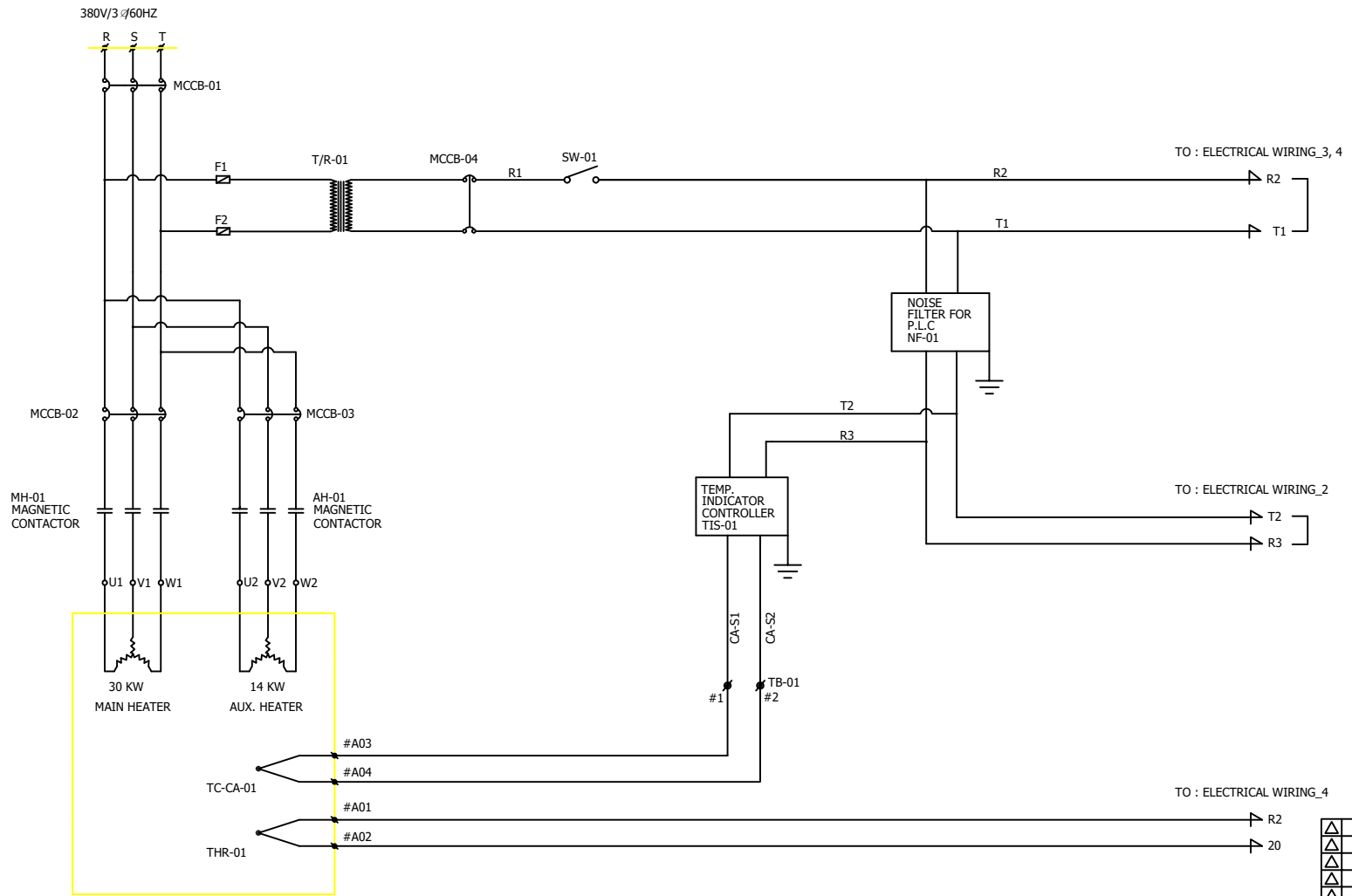


SYMBOL	DESCRIPTION	REDUCING VALVE	AIR MAIN LINE	DT	DRYER TOWER	NV	NEEDLE VALVE	
	BALL VALVE (NOR.OPEN)	SAFETY VALVE		OF	ORIFICE	CV	CHECK VALVE	
	BALL VALVE (NOR.CLOSE)	SOLENOID VALVE (SINGLE)		TS	THERMOSTAT	GBV	GLOBE VALVE	
	GLOBE VALVE	SOLENOID VALVE (DOUBLE)	TI	TEMPERATURE GAUGE	SV	SOLENOID VALVE	SFV	SAFETY VALVE
	NEEDLE VALVE	BUTTERFLY VALVE	PI	PRESSURE GAUGE	PV	PURGE VALVE		
	CHECK VALVE	AUTO DRAIN TRAP	EH	ELECTRIC HEATER	FRL	AIR UNIT		
	GATE VALVE	LUB. OIL LINE	BV	BUTTERFLY VALVE	MF	SILENCER		

DESIGN DATA		
NO	DESCRIPTIONS	SPECIFICATIONS
01	MODEL NO.	PEH-3000
02	APPLICATION FLUID	COMPRESSED AIR
03	FLOW RATE	5400 Nm <sup>3</sup> /hr
04	OUTLET DEW POINT	-40 °C @ ATM
05	INLET AIR PRESSURE	7.0 barg
06	INLET AIR TEMP.	38 °C
07	DRY/REGEN. CYCLE	4 HOURS + 4 HOURS
08	DESIGN PRESSURE	9.7 barg
09	DESIGN TEMP.	250 °C
10	HYDRAULIC TEST PR.	15 barg
11	INLET NOZZLE	150A KS 10K SO. FF.
12	OUTLET NOZZLE	150A KS 10K SO. FF.
13	ELECTRICITY	380V/3Ph/60Hz
14	VESSELS	DUAL/VERTICALLY ELEVATED.
15	DESICCANT	ACTIVATED ALUMINA
16	ACTIVATED ALUMINA	2100 kg/2Tower
17	SIZE OF HEATER	44.0 KW



△										
△										
△										
△										
△	2018.12.10	ISSUED FOR PROPOSAL								
REV.	NO.	DATE	DESCRIPTION	ENGR	CHK	APPD	APPD	APPD	APPD	
PROJECT										
MANUFACTURER										
TITLE										
PEH-3000 SYSTEM										
ITEM NO.	PEH-3000	DWG NO.								REV.
SCALE	NONE	GSA-PEH-3000-02							△	

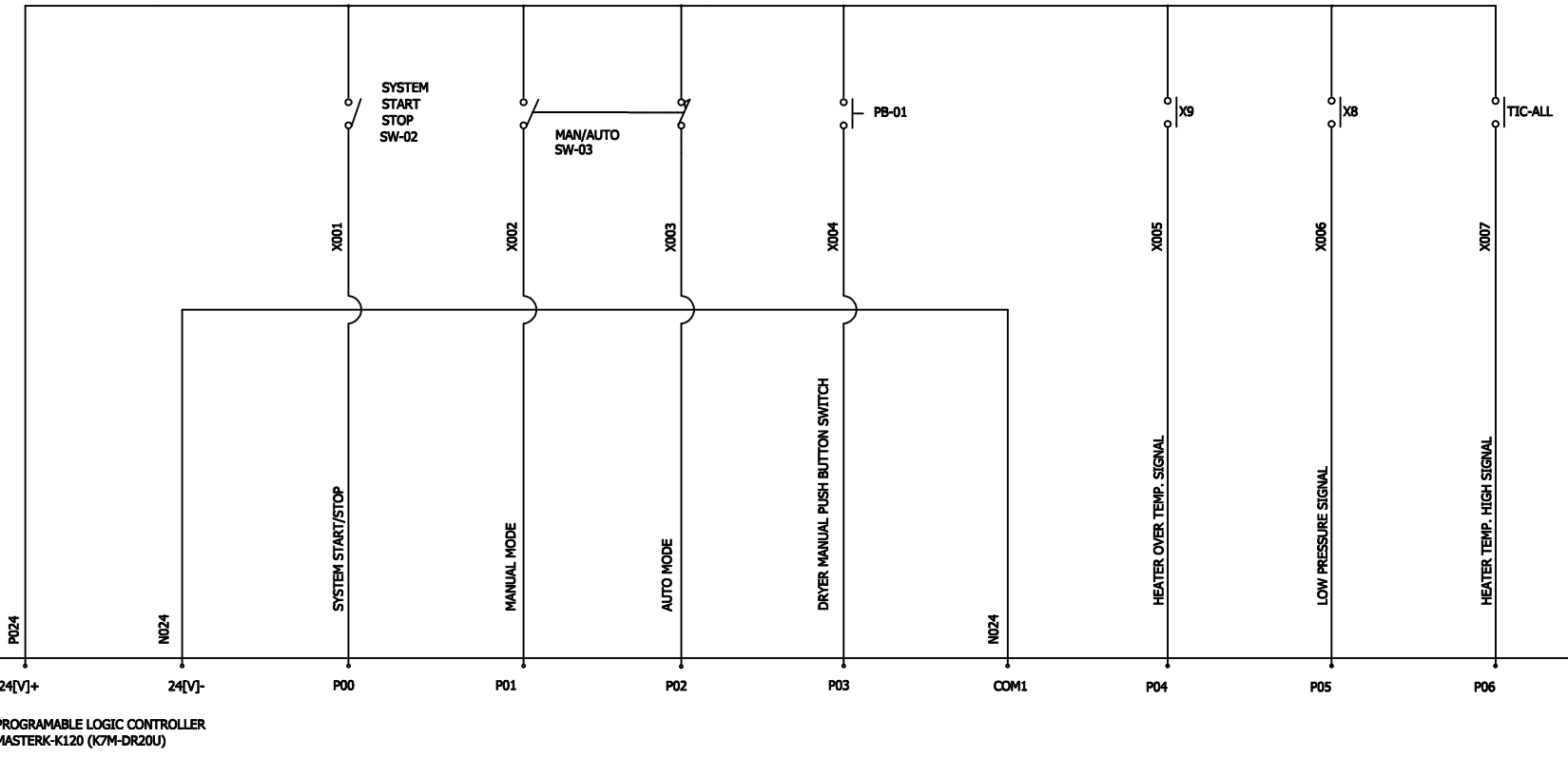



△										
△										
△										
△										
△	2018.12.10	ISSUED FOR PROPOSAL	-	-	-	-	-	-	-	
REV.	DATE	DESCRIPTION	EWG	CHK	APPD	APPD	APPD	APPD	APPD	
PROJECT										
MANUFACTURER										
TITLE										
PEH-3000 WIRING										
ITEM NO.	PEH-3000	DWG NO.		GSA-PEH-3000-03						REV.
SCALE	NONE									△

FROM :  
ELECTRICAL WIRING\_1

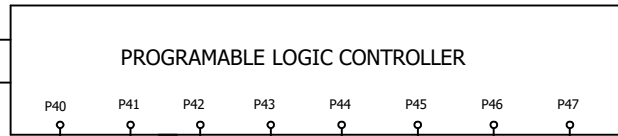
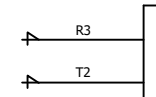


PROGRAMMABLE LOGIC CONTROLLER  
MASTERK-K120 (K7M-DR20U)



△										
△										
△										
△										
△	2018.12.10	ISSUED FOR PROPOSAL	-	-	-	-	-	-	-	
REV.	DATE	DESCRIPTION	EWG	CHK	APPD	APPD	APPD	APPD	APPD	
PROJECT										
MANUFACTURER										
 Global Standard Air & Gas										
TITLE										
PEH-3000 WIRING										
ITEM NO.	PEH-3000	DWG NO.		GSA-PEH-3000-04						REV.
SCALE	NONE									△

FROM : ELECTRICAL WIRING\_1



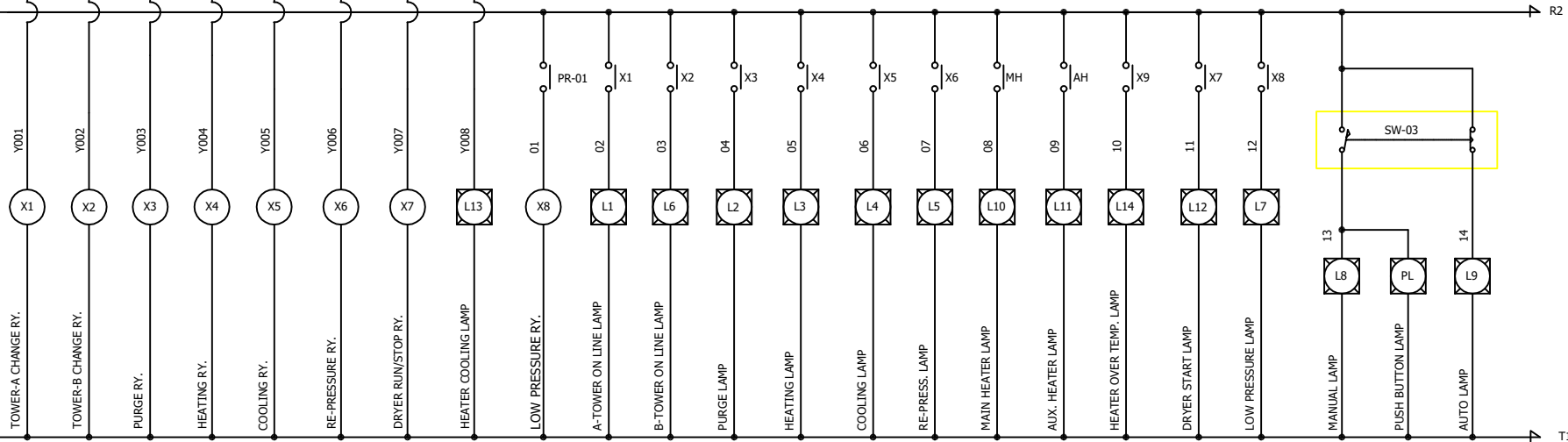
FROM : ELECTRICAL WIRING\_1

R2 220V

TO : PEH-1100-E4

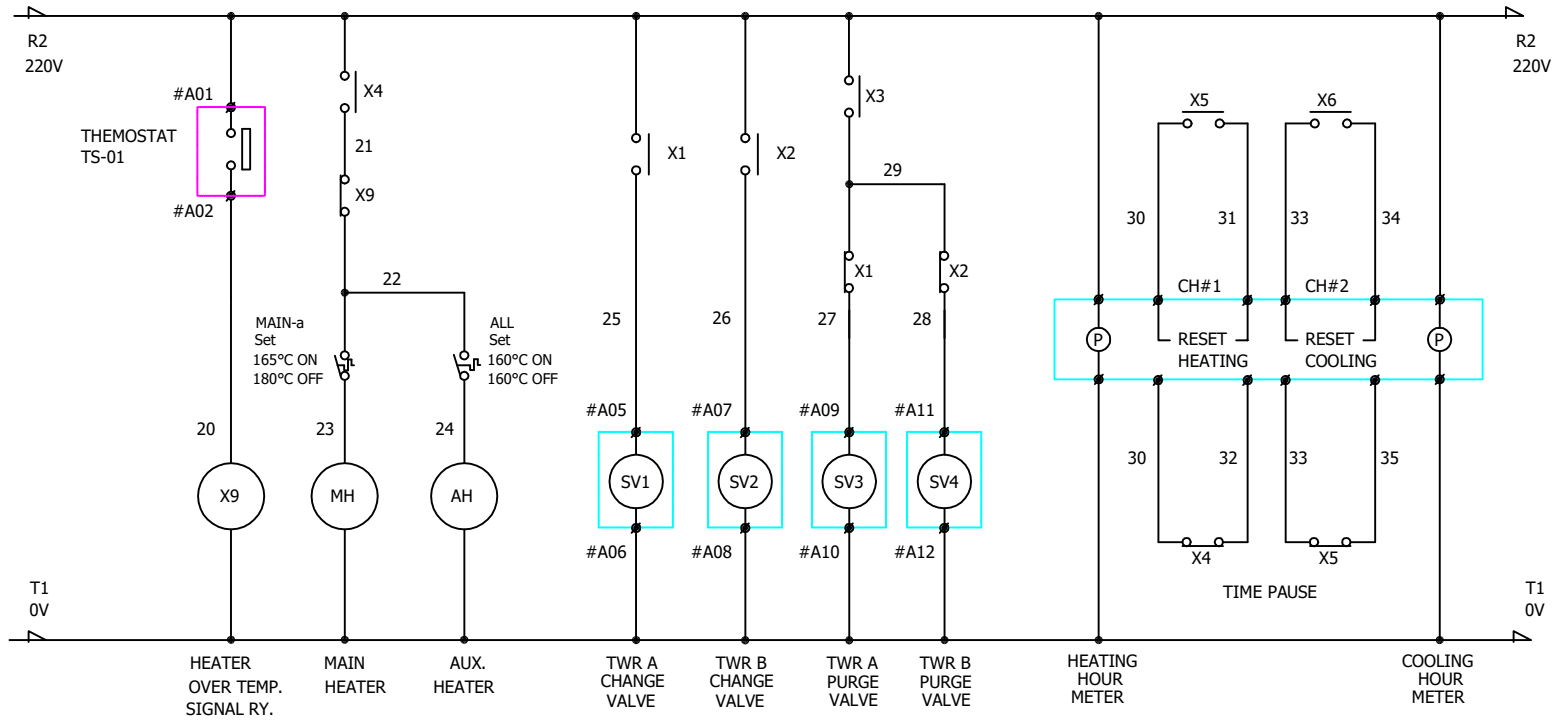
T1 0V

T1



△										
△										
△										
△										
△	2018.12.10	ISSUED FOR PROPOSAL	-	-	-	-	-	-	-	
REV.	DATE	DESCRIPTION	DWG	CHK	APPD	APPD	APPD	APPD	APPD	
PROJECT										
MANUFACTURER										
TITLE										
PEH-3000 WIRING										
ITEM NO.	PEH-3000	DWG NO.								REV.
SCALE	NONE	<b>GSA-PEH-3000-05</b>							△	

FROM : ELECTRICAL WIRING\_1



△										
△										
△										
△										
△										
△	2018.12.10	ISSUED FOR PROPOSAL	-	-	-	-	-	-	-	
REV.	DATE	DESCRIPTION	DWG	CHK	APPD	APPD	APPD	APPD	APPD	
PROJECT										
MANUFACTURER										
TITLE										
PEH-3000 WIRING										
ITEM NO.	PEH-3000	DWG NO.								REV.
SCALE	NONE	<b>GSA-PEH-3000-06</b>							△	