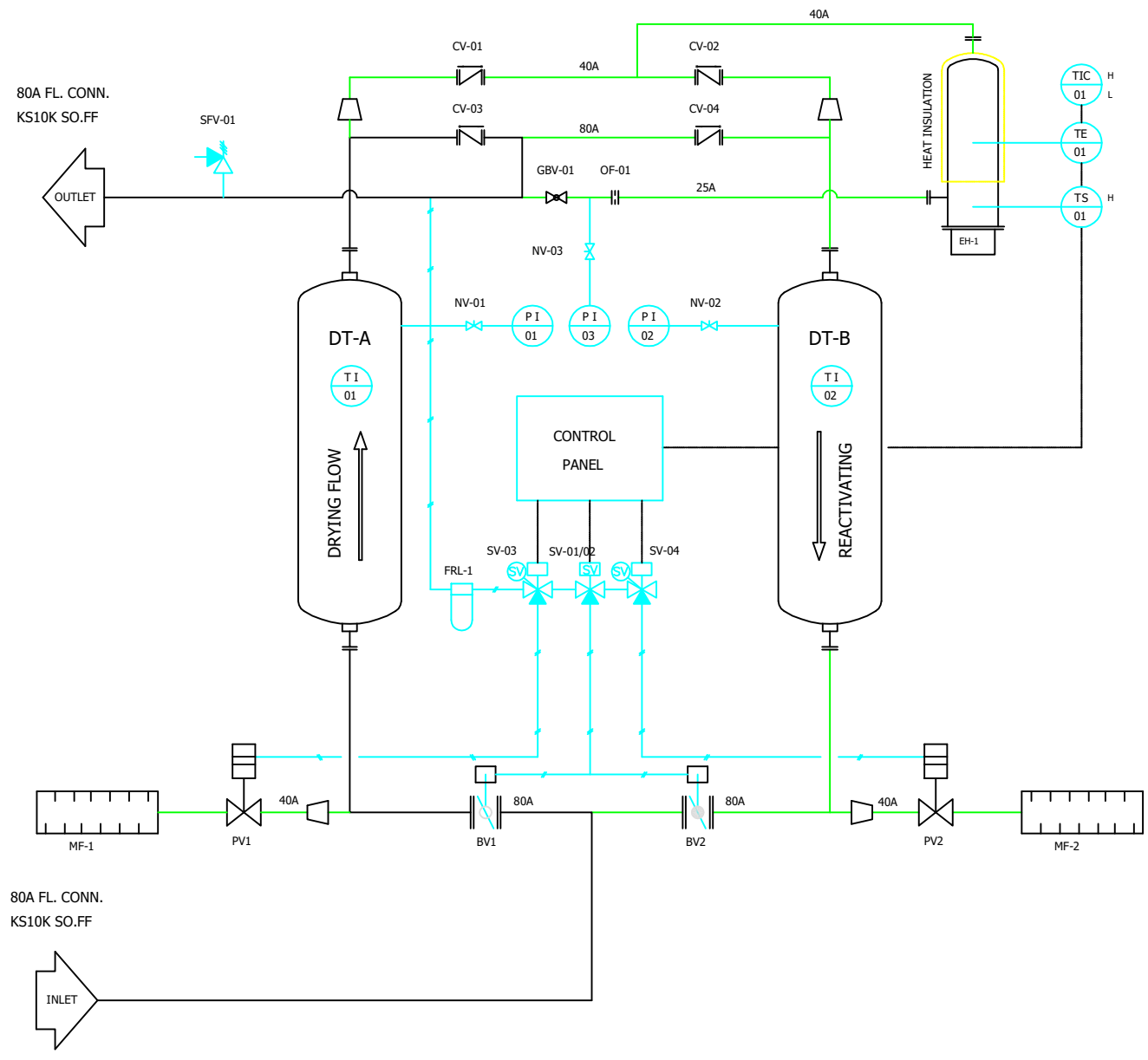
		Desiccant Air Dryer Heater Purge Type		Rev.	Date	Prepared By	Checked By	Approved By
				1	2019.01.15	LEE.S.M.	JO.S.J.	KIM.H.W.
Project No		-		Model Name		PEH-1350		
MECHANICAL DESIGN DATA								
2	Supply Voltage	380V		Inlet Flow Rate	2,280		Nm ³ /h	
3	Phase	3PH		Inlet Pressure	7.0		barg	
4	Frequency	60Hz		Inlet Temp.	38		°C	
5	Control use	220V		Outlet Flow Rate	2,097		Nm ³ /h	
6	Fulid	Compressed Air		Outlet Pressure	6.8		barg	
7	Location	Indoor		Outlet Temp.	40		°C	
8	Design Code	Maker STD.		Pressure Drop	0.2		bar	
9	Area Class	Non-Hazardous		Outlet Dew Point	-40		°C at ATM	
10	Purge Fulid	Dried Air		Purge Rate	183		Nm ³ /h	
CONSTRUCTION								
12	Dryer Type	Heater		Design Pressure	9.7		barg	
13	Vessels Design Code	KS B 6750-3		Design Temperature	250		°C	
14	Vessels Corrosion Allowance	1 mm		Ambient Temperature	38		°C	
15	Desiccant	Activated Alumina		Drying Time	240		min	
16	Desiccant Quantity	1,000 kg/2Tower		Reactivation Time	240		min	
17	Noise	85 dBA		- Heating Time	150		min	
18	Inlet Connection	80A	KS 10K SO.FF.	- Cooling Time	87		min	
19	Outlet Connection	80A	KS 10K SO.FF.	- Repressing Time	3		min	
20	Material			Heater Type	Location	External		
21	- Shell / Head	SS275 / SS275			Method	Electric.		
22	- Flange / Pipe	SS275 / SPP		Heater Power	Main	12	kW	
23	- Heater(Shell/Head)	SPP / SS275			Aux.	6	kW	
24	Dimension (W x L x H)	1700 X 1400 X 2730 mm		Control Panel Power	0.2		kW	
25	Weight	2,600 kg		Blower Power	N/A		kW	
26	Color (Munsell)	3.0 BG 7.1/0.2		Power Consumption(Avg.)	11.5		kW	
27	Insulation	NO		Control Unit	Programmable Logic Controller (P.L.C)			
28				Enclosure Control Panel	IP23			
INSTRUMENTS-ACCESSORIES								
30	Pressure Gauge	YES		Temperature Controller	YES			
31	Temperature Gauge	YES		Pressure Switch	YES			
32	Thermocouple	YES						
33	Pressure Regulator For Control Air	YES						
34	Instrument Air Filter	YES						
35	Orifice	YES						
OPTION ITEM								
37	Touch Screen	NO		Anchor Bolt / Nut	NO			
38	Valve Limit Switch	NO						
39	Dew Point Meter	NO						
40	Local Control Panel Double Door	NO						
41	Thyristor Power Regulator (S.C.R)	NO						
NOTES								
43								
44								
45								
46								

SYMBOL	DESCRIPTION	SYMBOL	DESCRIPTION	SYMBOL	DESCRIPTION	SYMBOL	DESCRIPTION	SYMBOL	DESCRIPTION
	BALL VALVE (NOR.OPEN)		SAFETY VALVE		INSTRUMENT AIR LINE		DRYER TOWER		NEEDLE VALVE
	BALL VALVE (NOR.CLOSE)		SOLENOID VALVE (SINGLE)		ELECTRIC LINE		ORIFICE		CHECK VALVE
	GLOBE VALVE		SOLENOID VALVE (DOUBLE)		TEMPERATURE GAUGE		THERMOSTAT		GLOBE VALVE
	NEEDLE VALVE		BUTTERFLY VALVE		PRESSURE GAUGE		SOLENOID VALVE		SAFETY VALVE
	CHECK VALVE		AUTO DRAIN TRAP		ELECTRIC HEATER		AIR UNIT		
	GATE VALVE		LUB. OIL LINE		BUTTERFLY VALVE		SILENCER		

DESIGN DATA		
NO	DESCRIPTIONS	SPECIFICATIONS
01	MODEL NO.	PEH-1350
02	APPLICATION FLUID	COMPRESSED AIR
03	FLOW RATE	2280 Nm ³ /hr
04	OUTLET DEW POINT	-40 °C @ ATM
05	INLET AIR PRESSURE	7.0 barg
06	INLET AIR TEMP.	38 °C
07	DRY/REGEN. CYCLE	4 HOURS + 4 HOURS
08	DESIGN PRESSURE	9.7 barg
09	DESIGN TEMP.	250 °C
10	HYDRAULIC TEST PR.	15 barg
11	INLET NOZZLE	80A KS 10K SO. FF.
12	OUTLET NOZZLE	80A KS 10K SO. FF.
13	ELECTRICITY	380V/3Ph/60Hz
14	VESSELS	DUAL/VERTICALLY ELEVATED.
15	DESICCANT	ACTIVATED ALUMINA
16	ACTIVATED ALUMINA	1000 kg/2Tower
17	HEATER CAPACITY	18.0 KW



REV.	NO.	DATE	DESCRIPTION	ENGR.	CHK.	APP'D.	APP'D.	APP'D.
△	01	2018.12.10	ISSUED FOR PROPOSAL					

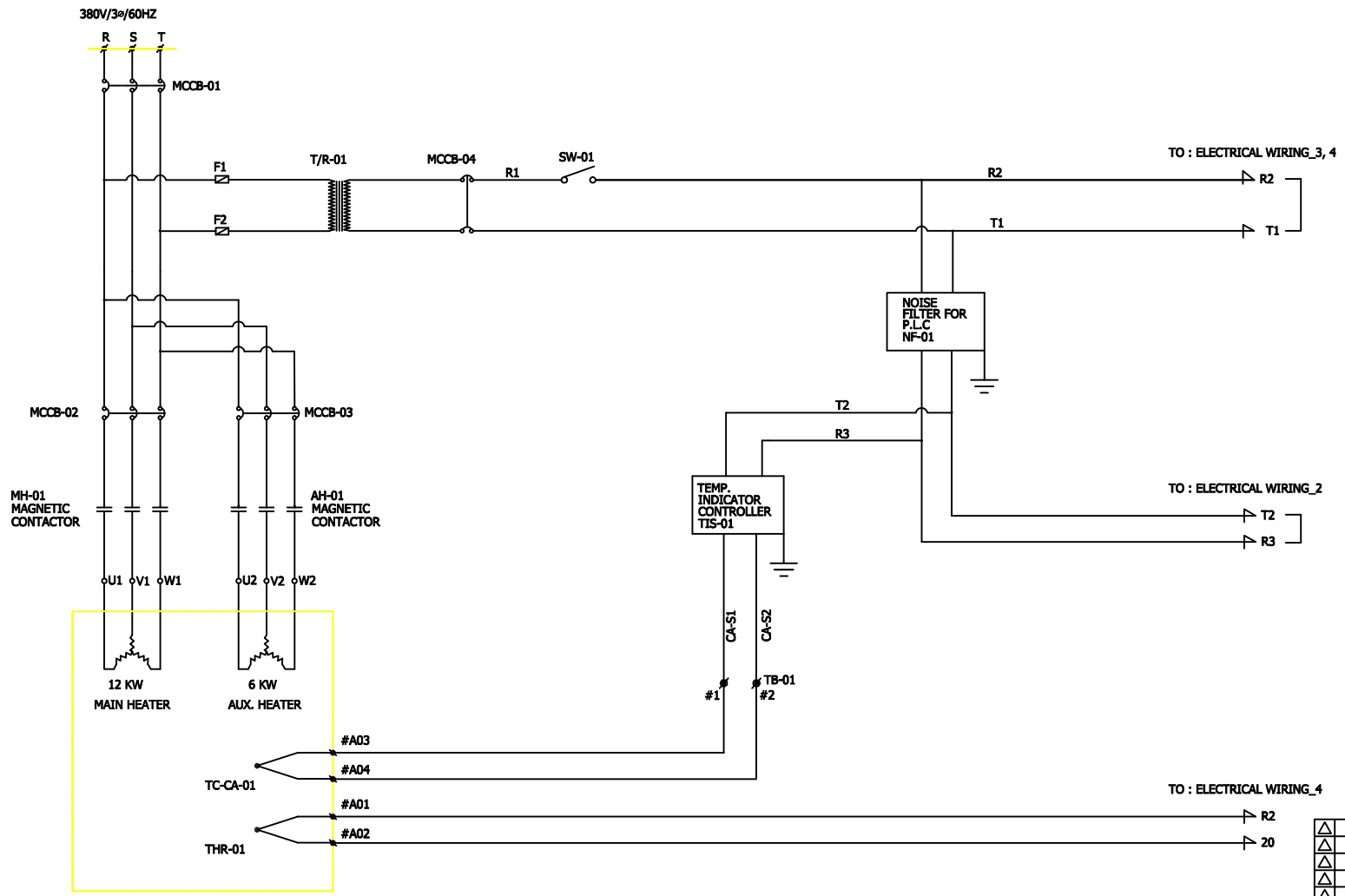
PROJECT: _____

MANUFACTURER:

TITLE: PEH-1350 SYSTEM

ITEM NO.	PEH-1350	DWG NO.	GSA-PEH-1350-02	REV.	△
SCALE	NONE				

(A1 : 841mm x 594mm)

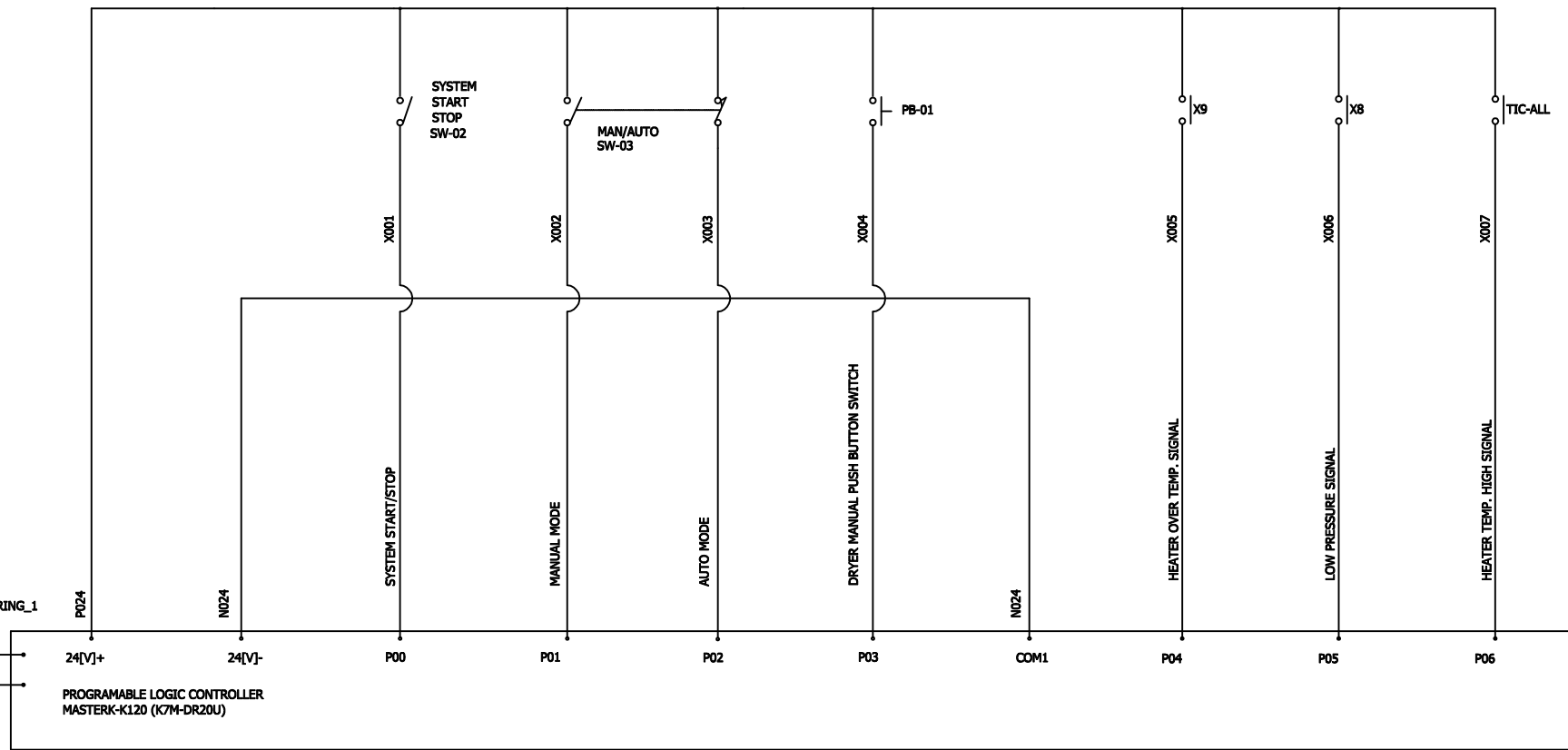


△										
△										
△										
△										
△	2018.12.10	ISSUED FOR PROPOSAL	-	-	-	-	-	-	-	
REV.	DATE	DESCRIPTION	EWG	CHK	APPD	APPD	APPD	APPD	APPD	
PROJECT										
MANUFACTURER										
TITLE										
PEH-1350 WIRING										
ITEM NO.	PEH-1350	DWG NO.		GSA-PEH-1350-03						REV.
SCALE	NONE									△

FROM :
ELECTRICAL WIRING_1

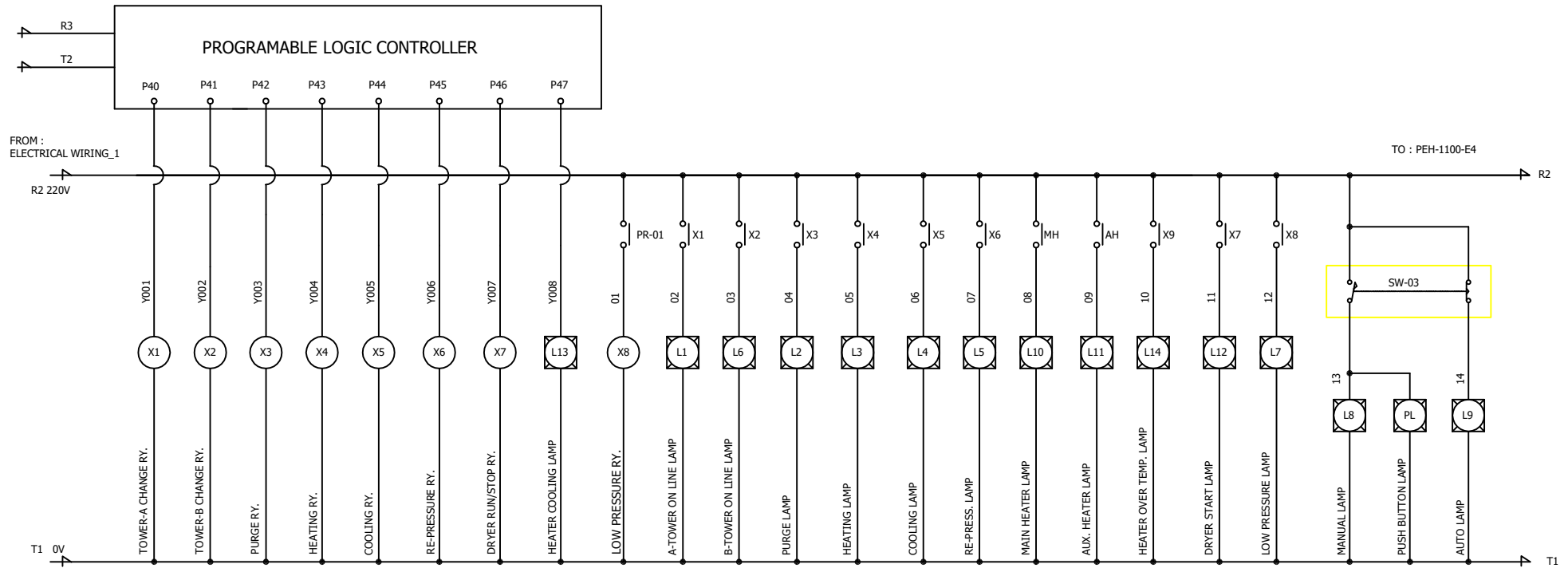



PROGRAMMABLE LOGIC CONTROLLER
MASTERK-K120 (K7M-DR20U)



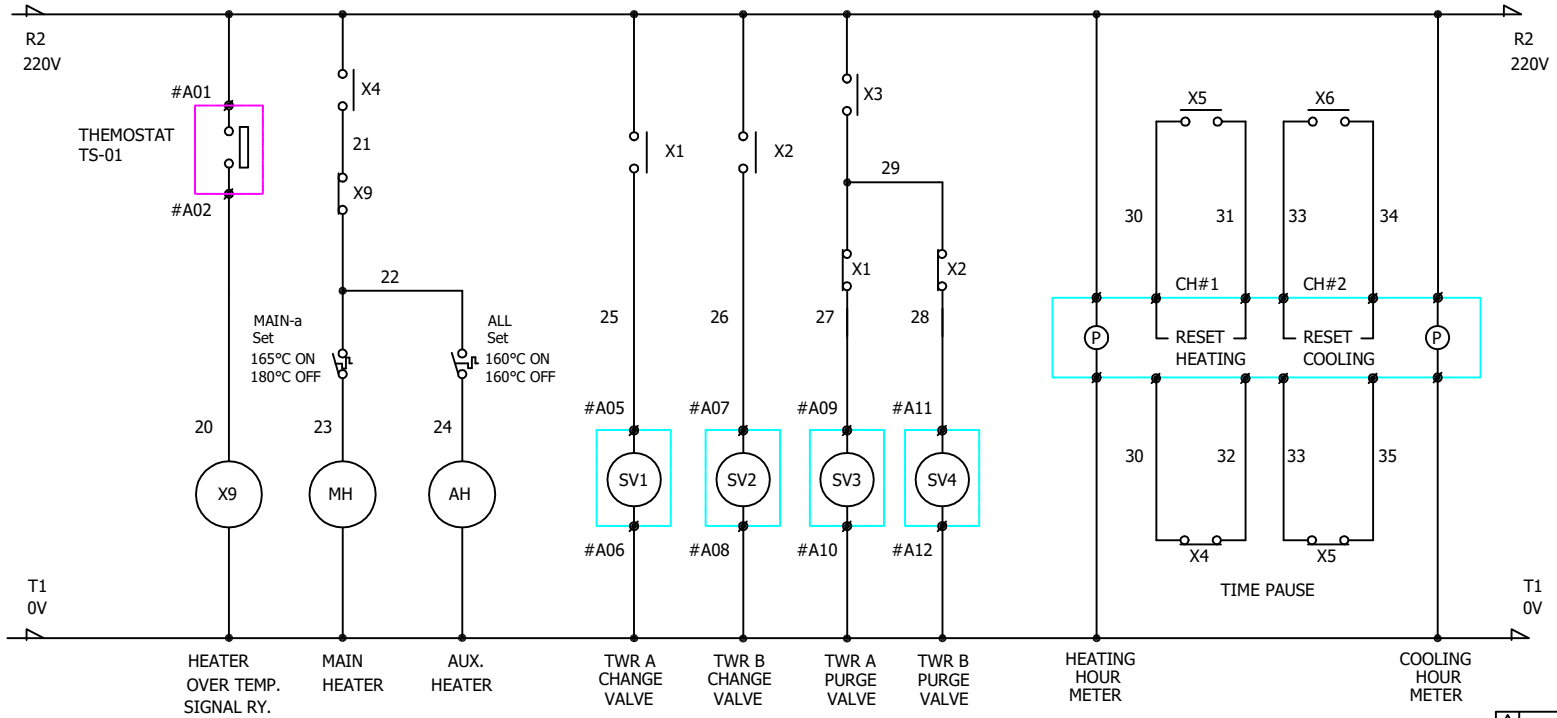
△										
△										
△										
△										
△										
△	2018.12.10	ISSUED FOR PROPOSAL	-	-	-	-	-	-	-	
REV.	DATE	DESCRIPTION	EDWG	CHK	APPD	APPD	APPD	APPD	APPD	
PROJECT										
MANUFACTURER										
TITLE										
PEH-1350 WIRING										
ITEM NO.	PEH-1350	DWG NO.		GSA-PEH-1350-04						REV.
SCALE	NONE									△

FROM : ELECTRICAL WIRING_1



△									
△									
△									
△									
△	2018.12.10	ISSUED FOR PROPOSAL	-	-	-	-	-	-	-
REV.	DATE	DESCRIPTION	ENGR	CHK	APPD	APPD	APPD	APPD	APPD
PROJECT									
MANUFACTURER									
 GSA <small>Global Standard Air & Gas</small>									
TITLE									
PEH-1350 WIRING									
ITEM NO.	PEH-1350	DWG NO.							
SCALE	NONE	GSA-PEH-1350-05		REV. △					

FROM : ELECTRICAL WIRING_1



△										
△										
△										
△										
△										
△	2018.12.10	ISSUED FOR PROPOSAL	-	-	-	-	-	-	-	
REV.	DATE	DESCRIPTION	EWG	CHK	APPD	APPD	APPD	APPD	APPD	
PROJECT										
MANUFACTURER										
TITLE										
PEH-1350 WIRING										
ITEM NO.	PEH-1350	DWG NO.		GSA-PEH-1350-06						REV.
SCALE	NONE									△