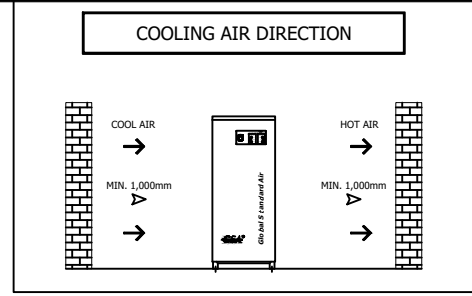
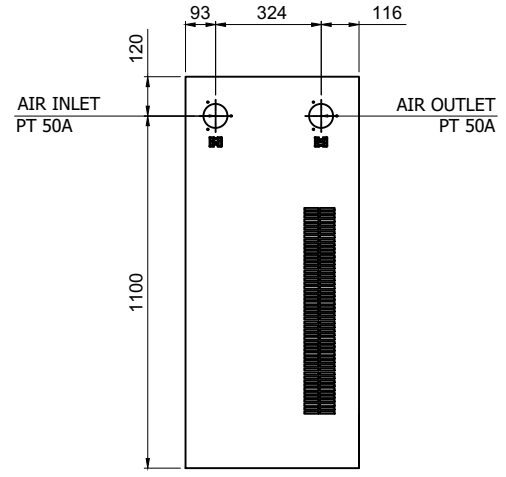
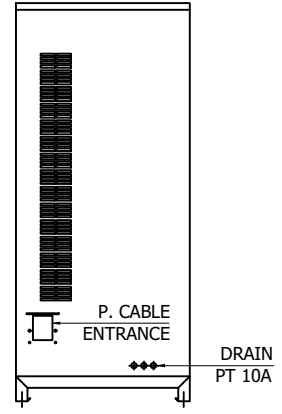
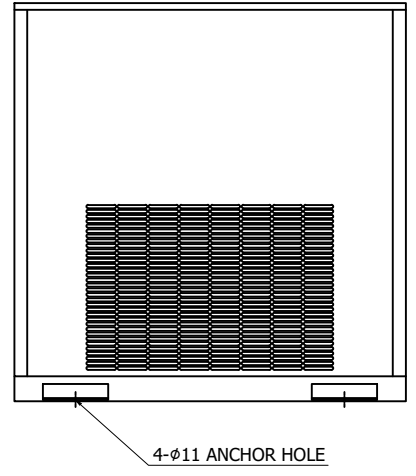
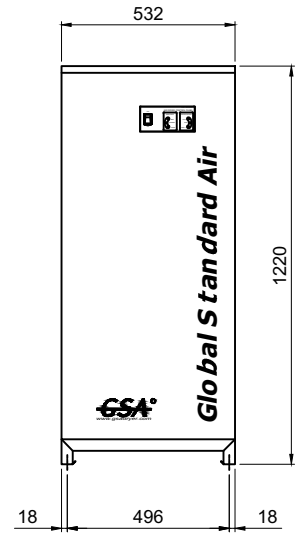
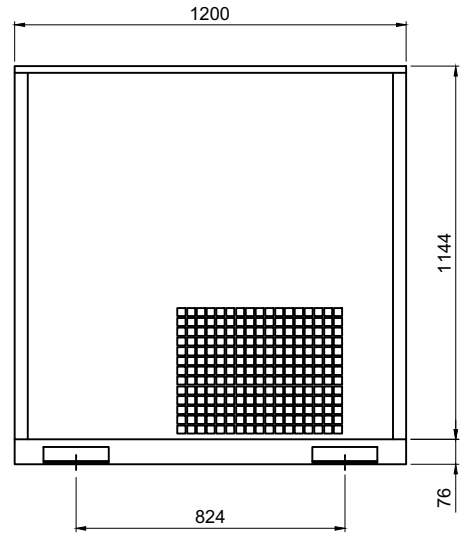
	Refrigerated Air Dryer		Rev.	Date	Prepared By	Checked By	Approved By
			1	2021.04.27	LEE.G.	JO.S.J.	KIM.H.W.
	Eco Pro Plus		2				
			3				
			4				
Project Name		-		Model Name		HYD-75EP*	
SPECIFICATION							
2	Supply Voltage	220V		Inlet Flow Rate	10.5 Nm3/min		
3	Phase	1PH		Inlet Pressure	7 barg		
4	Frequency	60Hz		Inlet Temp.	40 °C		
5	Control use	220V		Outlet Flow Rate	10.5 Nm3/min		
6	Fulid	Compressed Air		Outlet Pressure	6.6 barg		
7	Location	Indoor		Outlet Temp.	32±5 °C		
8	Design Code	Maker STD.		Pressure Drop (Element : Dry)	0.4 bar		
9	Area Class	Non-Hazardous		Outlet Dew Point	2~10 °C		
10				Design Pressure	9.7 barg		
11				Design Temperature	60 °C		
12				Ambient Temperature	32 °C		
CONSTRUCTION							
14	Refrigerant	R-22		Dimension (W x L x H)	532 X 1,200 X 1,220 mm		
15	Ref. Compressor Type	Rotary		Weight	135 kg		
16	Ref. Compressor Capacity	1-1/2 HP		Min. Power Consumption	1.05 kW		
17	Condenser Type	Air Cooled		Inlet Connection	50A	PT Female Screw	
18	Condenser Fan Motor	100 W		Outlet Connection	50A	PT Female Screw	
19		1 EA		Drain Connection	10A	PT Female Screw	
20	Condenser Fan Size	350 mm		Color (Munsell)	5.7PB 4.1/9.9		
21	Condenser Capacity	1-1/2 HP			5.7PB 2.9/3.5		
22	Condenser Material	Aluminum & Copper					
23	Heat Exchanger Type	Block					
24	Heat Exchanger Material	Aluminum					
25	Ref. Control Device	Capillary Tube					
26	ECO Mode Control	Dew Point Temp. Control					
27	Drain Trap Type	Auto Float					
STANDRAD FEATURES AND CONTROL							
29	Fan Controller	YES		Ref. Compressor	YES		
30	Ref. Liquid Filter Dryer	YES		Capillary Tube	YES		
31	Overload Relay	NO		Hot Gas Bypass Valve	NO		
32	PCB Controller	YES		Air Cooled Condenser	YES		
33	Fan Motor Test Button	NO		Accumulator	NO		
34	Air Pressure Gauge	NO		Liquid Ref. Receiver	NO		
35	Ref. Pressure Gauge	NO		Pre-filter	YES		
36	High Pressure Switch	YES		Line-filter	NO		
37	Moisture Indicator	NO		After-filter	YES		
38	Drain	YES					
NOTES							
40							
41							
42							
43							
44							
45							
46							



SPECIFICATION	
INLET AIR TEMPERATURE	40°C
AMBIENT TEMPERATURE	32°C
INLET AIR PRESSURE	7 barg
CAPACITY	10.5 Nm ³ /min
IN/OUT CONNECTION	PT 50A
DIMENSION(WXDXH,mm)	532 X 1,200 X 1,220
WEIGHT	135kg
MIN. POWER CONSUMPTION	1.05 kW
POWER SUPPLY	220V - 1PH - 60Hz



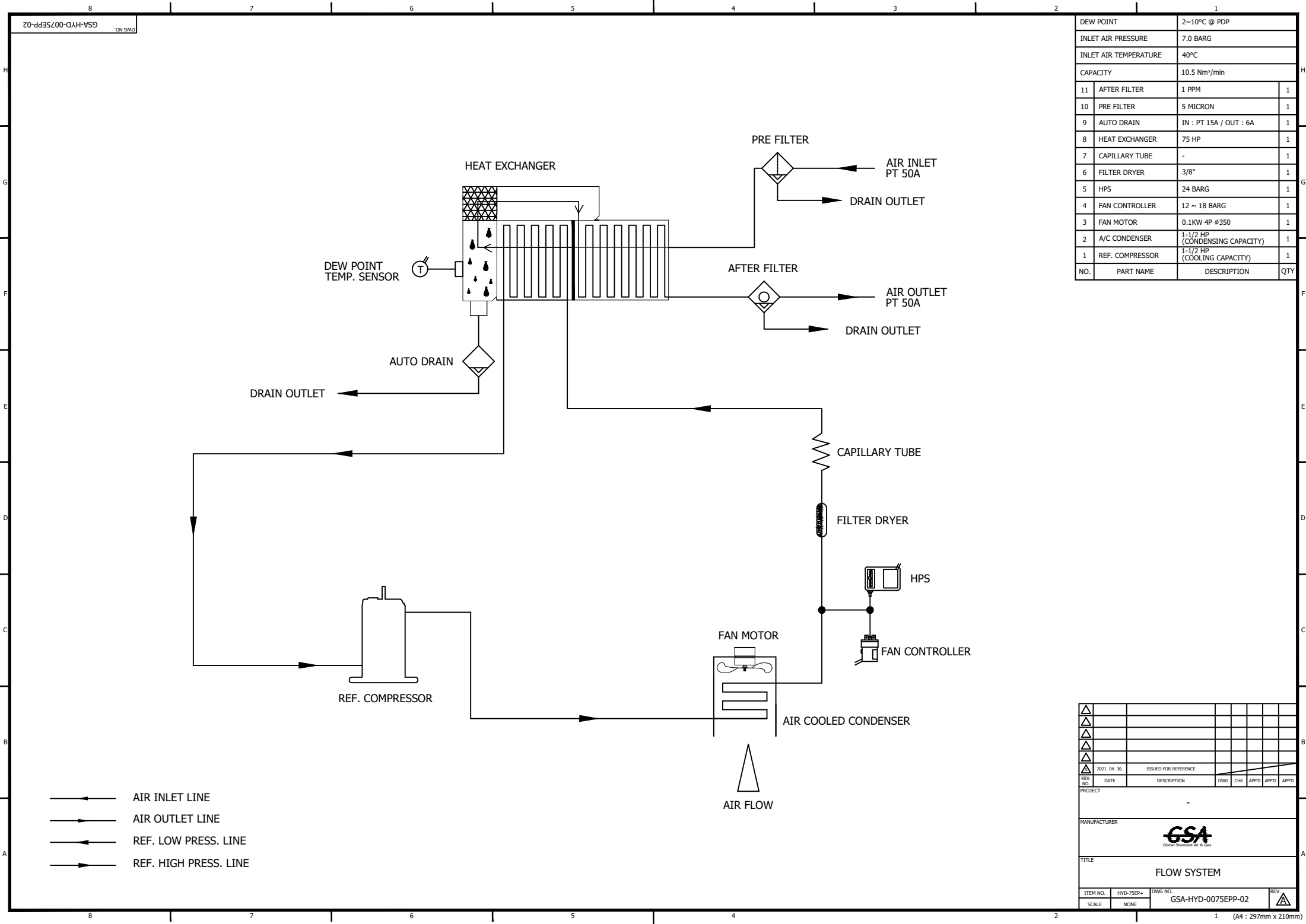
REV. NO.	DATE	DESCRIPTION	DWG	CHK	APPD	APPD	APPD
△							
△							
△							
△							
△	2021. 04. 30.	ISSUED FOR REFERENCE					

PROJECT: -

MANUFACTURER: **GSA**
Global Standard Air & Gas


TITLE: **OUTLINE DRAWING**

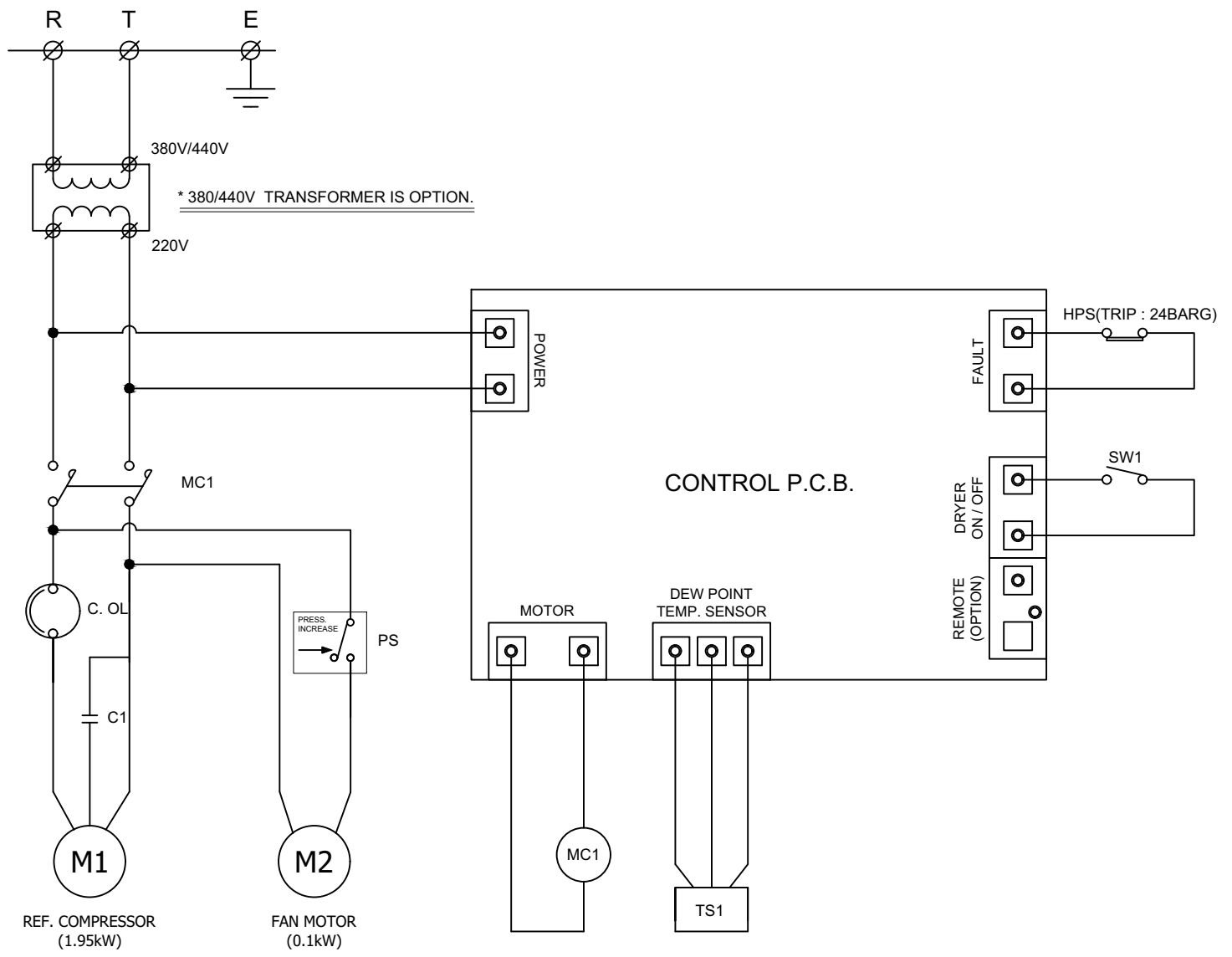
ITEM NO.	HYD-75EP+	DWG NO.	GSA-HYD-0075EPP-01	REV.	△
SCALE	NONE				



← AIR INLET LINE
 → AIR OUTLET LINE
 ← REF. LOW PRESS. LINE
 → REF. HIGH PRESS. LINE


DEW POINT		2~10°C @ PDP	
INLET AIR PRESSURE		7.0 BARG	
INLET AIR TEMPERATURE		40°C	
CAPACITY		10.5 Nm³/min	
11	AFTER FILTER	1 PPM	1
10	PRE FILTER	5 MICRON	1
9	AUTO DRAIN	IN : PT 15A / OUT : 6A	1
8	HEAT EXCHANGER	75 HP	1
7	CAPILLARY TUBE	-	1
6	FILTER DRYER	3/8"	1
5	HPS	24 BARG	1
4	FAN CONTROLLER	12 ~ 18 BARG	1
3	FAN MOTOR	0.1KW 4P #350	1
2	A/C CONDENSER	1-1/2 HP (CONDENSING CAPACITY)	1
1	REF. COMPRESSOR	1-1/2 HP (COOLING CAPACITY)	1
NO.	PART NAME	DESCRIPTION	QTY

△											
△											
△											
△											
△											
REV. NO.	DATE	DESCRIPTION	DWG	CHK	APPD	APPD	APPD	APPD	APPD		
2021. 04. 30.		ISSUED FOR REFERENCE									
PROJECT											
-											
MANUFACTURER											
 <small>Global Service of Air & Gas</small>											
TITLE											
FLOW SYSTEM											
ITEM NO.	HYD-75EP+	DWG NO.	GSA-HYD-0075EPP-02							REV.	△
SCALE	NONE										



* 380/440V TRANSFORMER IS OPTION.

POWER SOURCE AC 220, 1Ph, 60Hz		
NO.	SYMBOL	DESCRIPTION
10	SW1	SYSTEM ON/OFF SWITCH
9	C. OL	REF. COMPRESSOR OVERLOAD
8	HPS	HIGH PRESSURE SWITCH
7	TS1	DEW POINT TEMP. SENSOR
6	TR	TRANSFORMER(OPTION)
5	MC1	MAGNETIC CONTACTOR
4	PS	FAN CONTROLLER
3	C1	RUNNING CAPACITOR
2	M2	FAN MOTOR
1	M1	REF. COMPRESSOR

△										
△										
△										
△										
REV. NO.	DATE	DESCRIPTION	DWG	CHK	APPD	APPD	APPD	APPD	APPD	
2021. 04. 30.		ISSUED FOR REFERENCE								
PROJECT										
MANUFACTURER										
 GSA Global Service Air & Gas										
TITLE										
WIRING										
ITEM NO.	HYD-75EP+	DWG NO.	GSA-HYD-0075EPP-03				REV.	△		
SCALE	NONE									