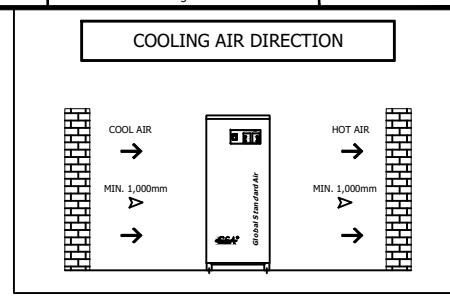
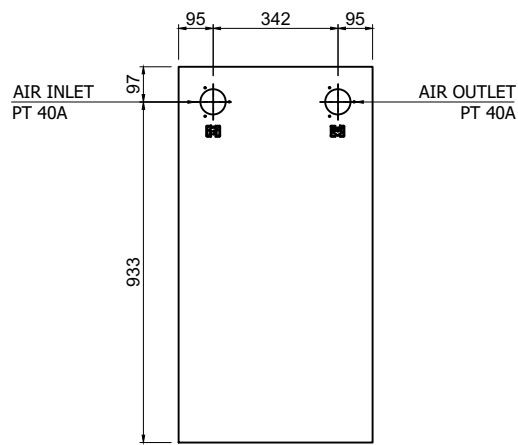
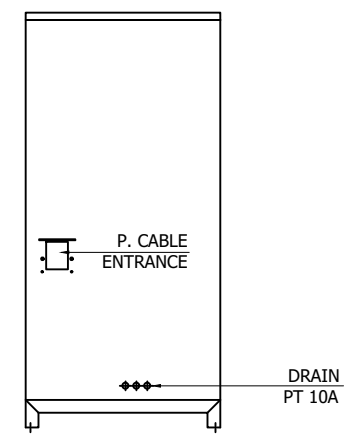
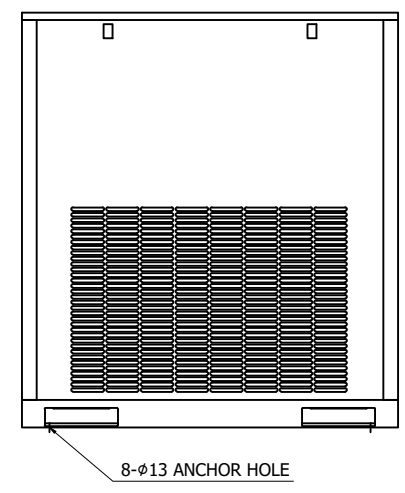
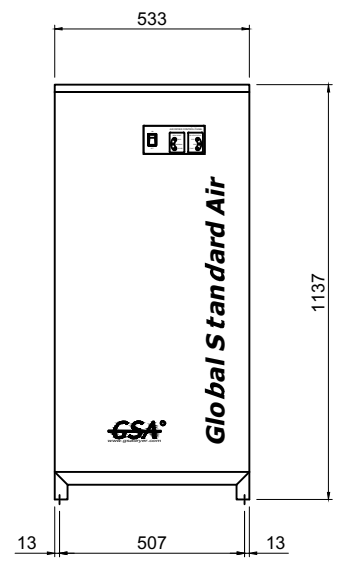
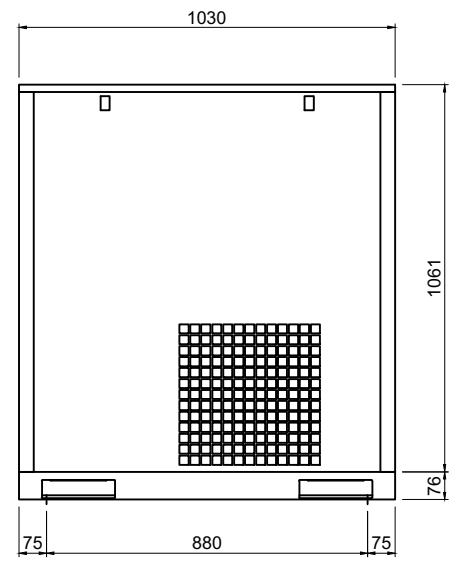

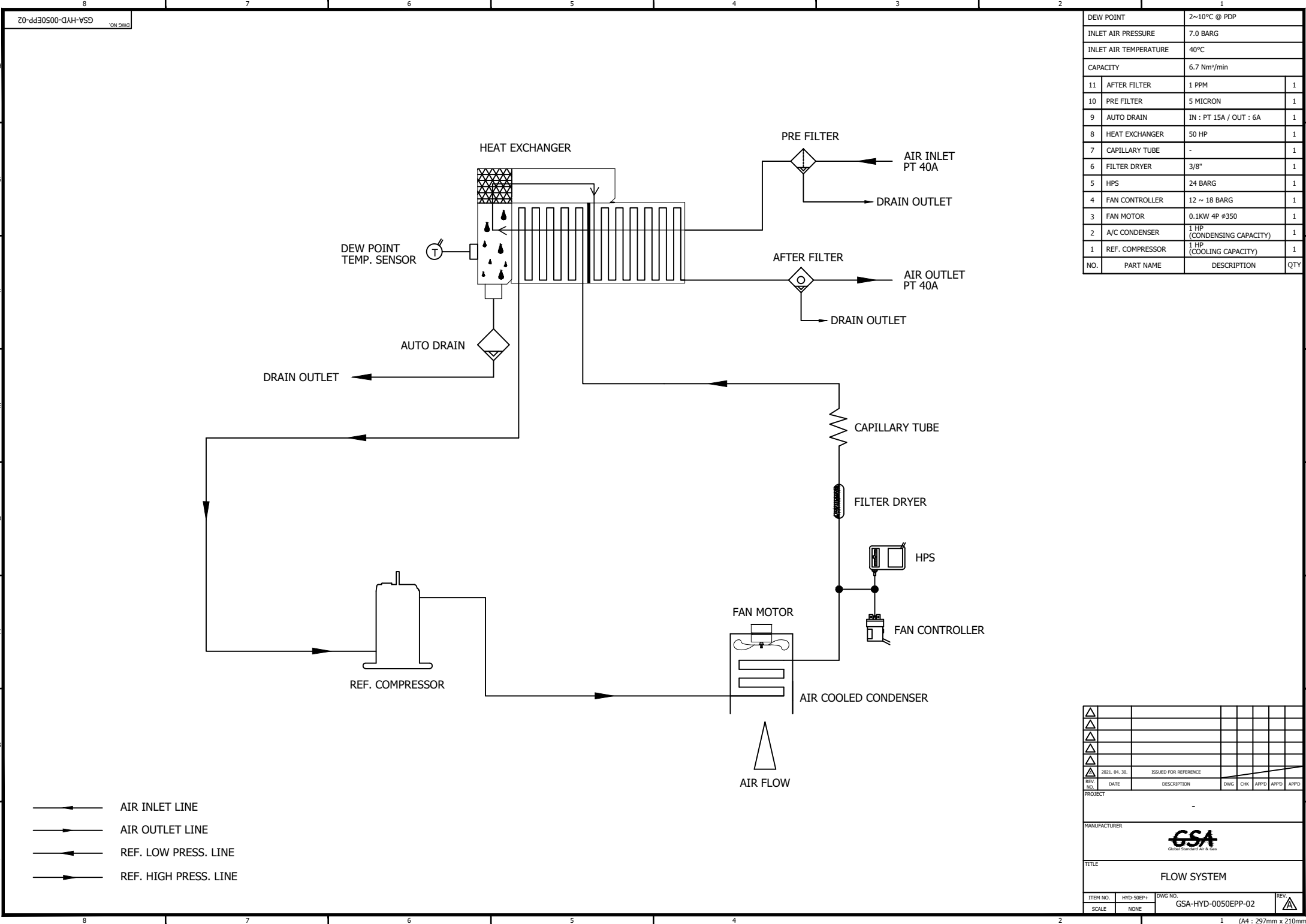
	Refrigerated Air Dryer		Rev.	Date	Prepared By	Checked By	Approved By
			1	2021.04.27	LEE.G	JO.S.J.	KIM.H.W.
	Eco Pro Plus		2				
			3				
4							
Project Name		-		Model Name		HYD-50EP <sup>+</sup>	
<b>SPECIFICATION</b>							
1							
2	Supply Voltage	220V	Inlet Flow Rate	6.7	Nm <sup>3</sup> /min		
3	Phase	1PH	Inlet Pressure	7	barg		
4	Frequency	60Hz	Inlet Temp.	40	°C		
5	Control use	220V	Outlet Flow Rate	6.7	Nm <sup>3</sup> /min		
6	Fulid	Compressed Air	Outlet Pressure	6.6	barg		
7	Location	Indoor	Outlet Temp.	32±5	°C		
8	Design Code	Maker STD.	Pressure Drop (Element : Dry)	0.4	bar		
9	Area Class	Non-Hazardous	Outlet Dew Point	2~10	°C		
10			Design Pressure	9.7	barg		
11			Design Temperature	60	°C		
12			Ambient Temperature	32	°C		
<b>CONSTRUCTION</b>							
13							
14	Refrigerant	R-22	Dimension (W x L x H)	532 X 1,030 X 1,137	mm		
15	Ref. Compressor Type	Rotary	Weight	99	kg		
16	Ref. Compressor Capacity	1 HP	Min. Power Consumption	0.7	kW		
17	Condenser Type	Air Cooled	Inlet Connection	40A	PT Female Screw		
18	Condenser Fan Motor	100 W	Outlet Connection	40A	PT Female Screw		
19		1 EA	Drain Connection	10A	PT Female Screw		
20	Condenser Fan Size	350 mm	Color (Munsell)	5.7PB 4.1/9.9			
21	Condenser Capacity	1 HP		5.7PB 2.9/3.5			
22	Condenser Material	Aluminum & Copper					
23	Heat Exchanger Type	Block					
24	Heat Exchanger Material	Aluminum					
25	Ref. Control Device	Capillary Tube					
26	ECO Mode Control	Dew Point Temp. Control					
27	Drain Trap Type	Auto Float					
<b>STANDRAD FEATURES AND CONTROL</b>							
28							
29	Fan Controller	YES	Ref. Compressor	YES			
30	Ref. Liquid Filter Dryer	YES	Capillary Tube	YES			
31	Overload Relay	NO	Hot Gas Bypass Valve	NO			
32	PCB Controller	YES	Air Cooled Condenser	YES			
33	Fan Motor Test Button	NO	Accumulator	NO			
34	Air Pressure Gauge	NO	Liquid Ref. Receiver	NO			
35	Ref. Pressure Gauge	NO	Pre-filter	YES			
36	High Pressure Switch	YES	Line-filter	NO			
37	Moisture Indicator	NO	After-filter	YES			
38	Drain	YES					
<b>NOTES</b>							
39							
40							
41							
42							
43							
44							
45							
46							




SPECIFICATION	
INLET AIR TEMPERATURE	40°C
AMBIENT TEMPERATURE	32°C
INLET AIR PRESSURE	7 barg
CAPACITY	6.7 Nm <sup>3</sup> /min
IN/OUT CONNECTION	PT 40A
DIMENSION(WXDXH, mm)	532 X 1,030 X 1,137
WEIGHT	99kg
MIN. POWER CONSUMPTION	0.7 kW
POWER SUPPLY	220 - 1PH - 60Hz



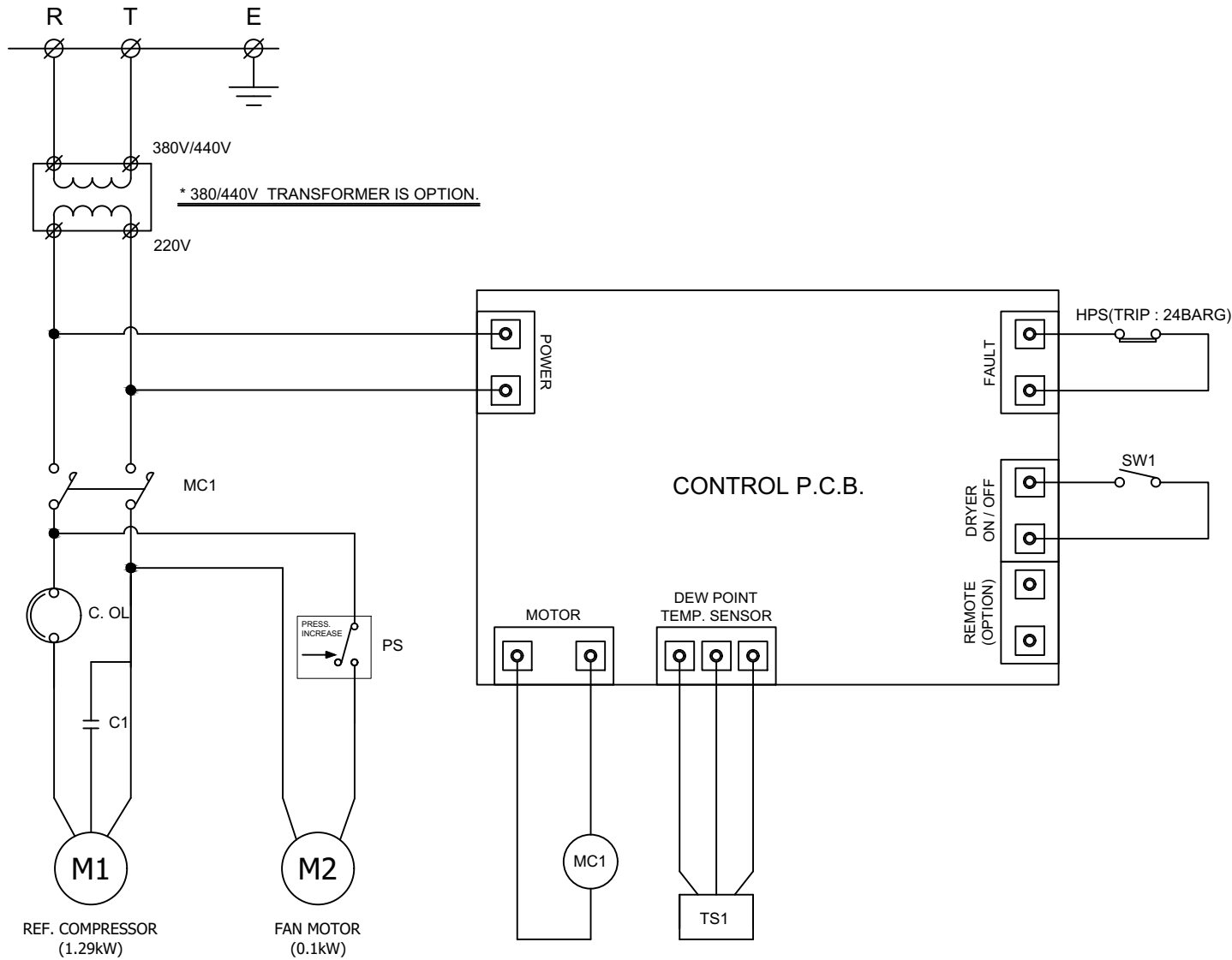
△									
△									
△									
△									
△	2021. 04. 30.	ISSUED FOR REFERENCE							
REV. NO.	DATE	DESCRIPTION	DWG	CHK	APPD	APPD	APPD	APPD	APPD
PROJECT									
MANUFACTURER									
 Global Standard Air & GSA									
TITLE									
OUTLINE DRAWING									
ITEM NO.	HYD-S0EP+	DWG NO.	REV.						
SCALE	NONE	GSA-HYD-0050EPP-01							



DEW POINT		2~10°C @ PDP	
INLET AIR PRESSURE		7.0 BARG	
INLET AIR TEMPERATURE		40°C	
CAPACITY		6.7 Nm³/min	
11	AFTER FILTER	1 PPM	1
10	PRE FILTER	5 MICRON	1
9	AUTO DRAIN	IN : PT 15A / OUT : 6A	1
8	HEAT EXCHANGER	50 HP	1
7	CAPILLARY TUBE	-	1
6	FILTER DRYER	3/8"	1
5	HPS	24 BARG	1
4	FAN CONTROLLER	12 ~ 18 BARG	1
3	FAN MOTOR	0.1KW 4P Ø350	1
2	A/C CONDENSER	1 HP (CONDENSING CAPACITY)	1
1	REF. COMPRESSOR	1 HP (COOLING CAPACITY)	1
NO.	PART NAME	DESCRIPTION	QTY


△									
△									
△									
△									
△	2021. 04. 30.	ISSUED FOR REFERENCE							
REV. NO.	DATE	DESCRIPTION	ENWG	CHK	APPD	APPD	APPD	APPD	APPD
PROJECT									
MANUFACTURER									
 <small>GLOBAL SYSTEMS AND RESEARCH</small>									
TITLE									
FLOW SYSTEM									
ITEM NO.	HYD-SOEP+	DWG NO.	REV.						
SCALE	NONE	GSA-HYD-0050EPP-02							

- ← AIR INLET LINE
- AIR OUTLET LINE
- ← REF. LOW PRESS. LINE
- REF. HIGH PRESS. LINE



\* 380/440V TRANSFORMER IS OPTION.

POWER SOURCE AC 220, 1Ph, 60Hz		
10	SW1	DRYER ON/OFF SWITCH
9	C. OL	REF. COMPRESSOR OVERLOAD
8	HPS	HIGH PRESSURE SWITCH
7	TS1	DEW POINT TEMP. SENSOR
6	TR	TRANSFORMER(OPTION)
5	MC1	MAGNETIC CONTACTOR
4	PS	FAN CONTROLLER
3	C1	RUNNING CAPACITOR
2	M2	FAN MOTOR
1	M1	REF. COMPRESSOR
NO.	SYMBOL	DESCRIPTION

REV. NO.	DATE	DESCRIPTION	ENG	CHK	APPD	APPD	APPD	
2021.04.30.		ISSUED FOR REFERENCE						
PROJECT								
MANUFACTURER								
 <small>Global Service Air &amp; Gas</small>								
TITLE								
WIRING								
ITEM NO.	HYD-50EP+	DWG NO.	GSA-HYD-0050EPP-03				REV.	△
SCALE	NONE							