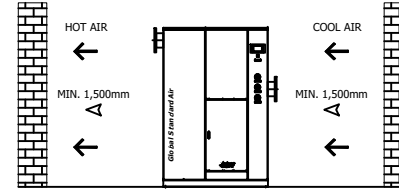
	<b>Refrigerated Air Dryer for High Temp.</b>		Rev.	Date	Prepared By	Checked By	Approved By
			1	2020.09.18	WOO.I.H.	JO.S.J.	KIM.H.W.
	<b>Air Cooled Type</b>		2				
			3				
4							
Project Name		-	Model Name		HYD-500HT		
<b>SPECIFICATION</b>							
1							
2	Supply Voltage	380V	Inlet Flow Rate	66	Nm <sup>3</sup> /min		
3	Phase	3PH	Inlet Pressure	7	barg		
4	Frequency	60Hz	Inlet Temp.	45	°C		
5	Control use	220V	Outlet Flow Rate	66	Nm <sup>3</sup> /min		
6	Fulid	Compressed Air	Outlet Pressure	6.8	barg		
7	Location	Indoor	Outlet Temp.	33±5	°C		
8	Design Code	Maker STD.	Pressure Drop	0.2	bar		
9	Area Class	Non-Hazardous	Outlet Dew Point	2~10	°C		
10			Design Pressure	9.7	barg		
11			Design Temperature	70	°C		
12			Ambient Temperature	32	°C		
<b>CONSTRUCTION</b>							
13							
14	Refrigerant	R-22	Dimension (W x D x H)	1,200 X 2,100 X 1,825	mm		
15	Ref. Compressor Type	Scroll	Weight	980	kg		
16	Ref. Compressor Capacity	13 HP	Power Consumption	12.7	kW		
17	Condenser Type	Air Cooled	Inlet Connection	150A	KS 10K SO.FF.		
18	Condenser Fan Motor	0.4 kW	Outlet Connection	150A	KS 10K SO.FF.		
19		2 EA	Drain Connection	15A	PT Female Screw		
20	Condenser Fan Size	600 mm	Color (Munsell)	5.7PB 4.1/9.9			
21	Condenser Capacity	20 HP		5.7PB 2.9/3.5			
22	Condenser Material	Aluminum & Copper					
23	Heat Exchanger Type	Block					
24	Heat Exchanger Material	Aluminum					
25	Ref. Control Device	TEV					
26	Temp. Control Device	Hot Gas Bypass Valve					
27	Drain Trap Type	Level Sensor					
<b>STANDRAD FEATURES AND CONTROL</b>							
28							
29	Ref. Press. Transmitter	YES	Ref. Compressor	YES			
30	Ref. Liquid Filter Dryer	YES	Expansion Valve	YES			
31	Overload Relay	YES	Hot Gas Bypass Valve	YES			
32	PCB Controller	YES	Air Cooled Condenser	YES			
33	4.3" TFT LCD	YES	Accumulator with Heat Exchanger	YES			
34	Air Pressure Gauge	YES	Liquid Ref. Receiver	NO			
35	Ref. Pressure Gauge	YES	Oil Separator	YES			
36	Dryer Start/Stop Switch	YES	Circuit Breaker	YES			
37	Moisture Indicator	YES	Ref. Compressor Heater	YES			
38	Drain	YES					
<b>NOTES</b>							
39							
40							
41							
42							
43							
44							
45							
46							

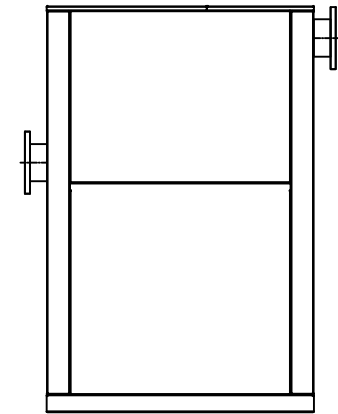
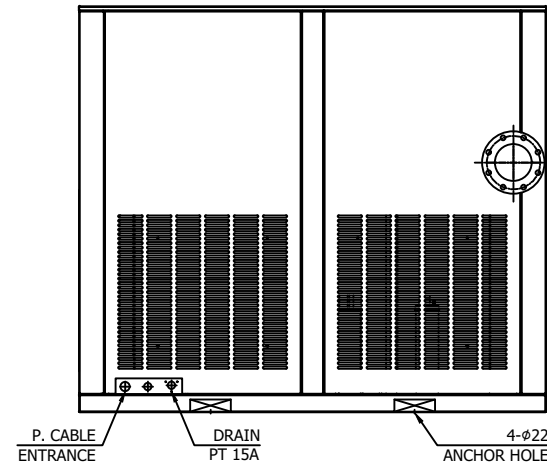
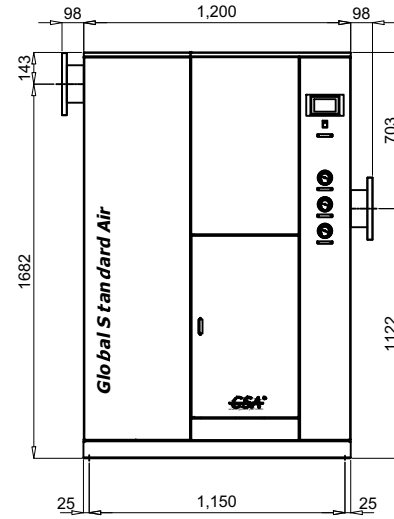
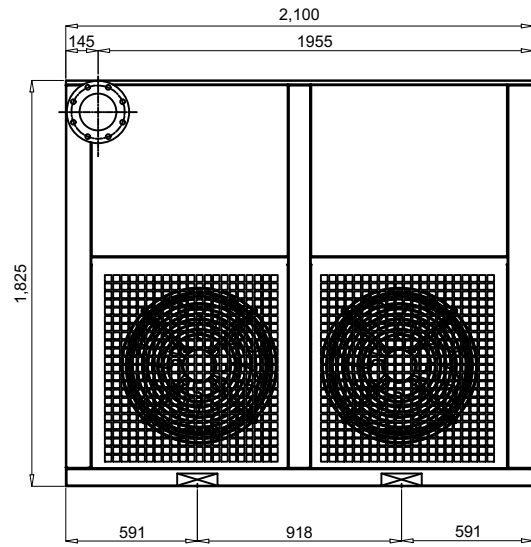
AIR INLET  
150A KS 10K SO.FF.

AIR OUTLET  
150A KS 10K SO.FF.

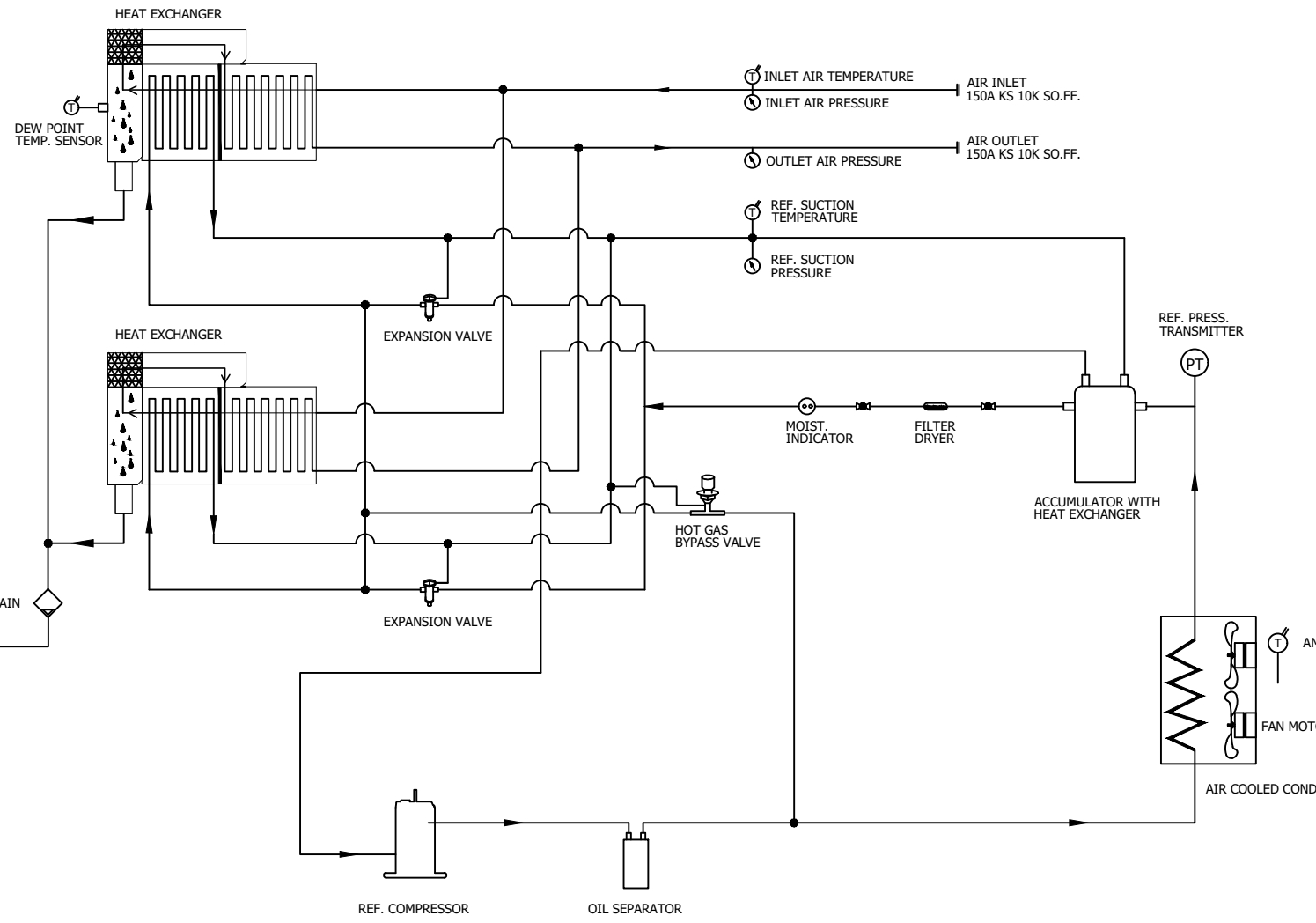
COOLING AIR DIRECTION



SPECIFICATION	
INLET AIR TEMPERATURE	45°C
AMBIENT TEMPERATURE	32°C
INLET AIR PRESSURE	7 barg
CAPACITY	66 Nm <sup>3</sup> /min
IN/OUT CONNECTION	150A KS 10K SO.FF.
DIMENSION(WXDXH, mm)	1,200 X 2,100 X 1,825
WEIGHT	980 kg
POWER CONSUMPTION	12.7 kW
POWER SUPPLY	380/440V - 3PH - 50/60Hz




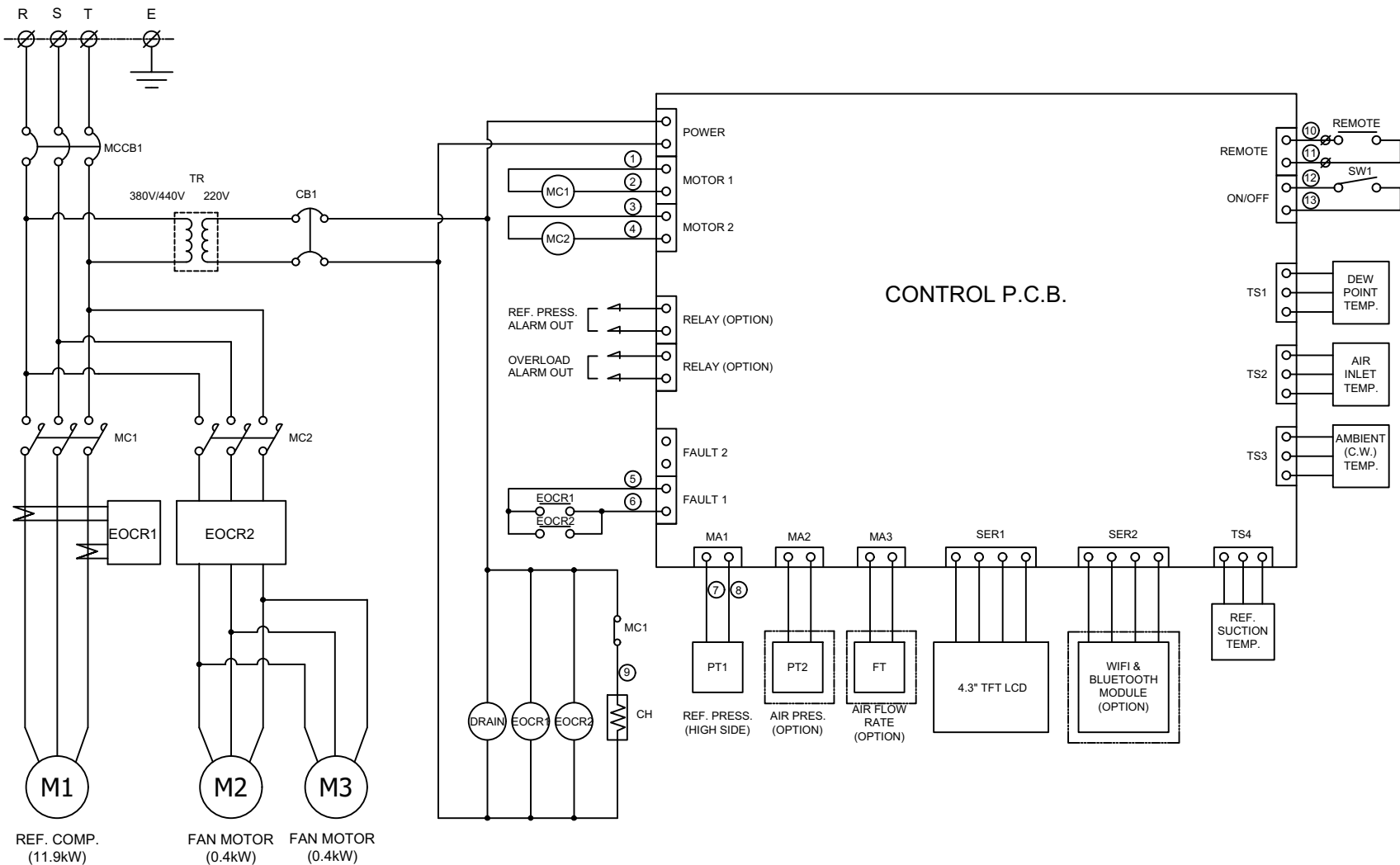
△										
△										
△										
△										
REV. NO.	DATE	DESCRIPTION	DWG	CHK	APPD	APPD	APPD	APPD	APPD	
	2020. 09. 18.	ISSUED FOR REFERENCE								
PROJECT										
MANUFACTURER										
TITLE										
OUTLINE DRAWING										
ITEM NO.	HYD-500HT	DWG NO.	GSA-HYD-0500HT-01						REV.	△
SCALE	NONE									



DEW POINT	2~10°C @ PDP		
INLET AIR PRESSURE	7.0 barg		
INLET AIR TEMPERATURE	45°C		
CAPACITY	66.0 Nm <sup>3</sup> /min		
15	PRESS. GAUGE	OUTLET AIR	1
14	PRESS. GAUGE	INLET AIR	1
13	PRESS. GAUGE	REF. SUCTION	1
12	AUTO DRAIN	PT 15A	1
11	HGBV	-	1
10	HEAT EXCHANGER	300 HP	2
9	EXPANSION VALVE	7.5 TON	2
8	MOIST. INDICATOR	5/8"	1
7	FILTER DRYER	5/8"	1
6	ACCUMULATOR WITH HEAT EXCHANGER	-	1
5	REF. PRESS. TRANSMIT.	-1 ~ 35 BAR	1
4	FAN MOTOR	0.4KW 6P φ600	2
3	A/C CONDENSER	20 HP (CONDENSING CAPACITY)	1
2	OIL SEPARATOR	-	1
1	REF. COMPRESSOR	13 HP (COOLING CAPACITY)	1
NO.	PART NAME	DESCRIPTION	QTY

- ← AIR INLET LINE
- AIR OUTLET LINE
- ← REF. LOW PRESS. LINE
- REF. HIGH PRESS. LINE

△											
△											
△											
△											
△	2020. 09. 18.	ISSUED FOR REFERENCE									
REV. NO.	DATE	DESCRIPTION	DWG	CHK	APPD	APPD	APPD	APPD	APPD		
PROJECT											
MANUFACTURER											
 <small>Global Service Automation &amp; Control</small>											
TITLE											
PIPING & INSTRUMENTATION DRAWING											
ITEM NO.	HYD-500HT	DWG NO.	GSA-HYD-0500HT-02							REV.	△
SCALE	NONE										



NO.	SYMBOL	DESCRIPTION
12	PT1	REF. PRESSURE TRANSMITTER
11	TR	TRANSFORMER
10	SW1	SYSTEM ON/OFF SENSOR
9	CH	REF. COMP. HEATER
8	DRAIN	AUTO DRAIN VALVE
7	TS1 ~ TS4	TEMP. SENSOR
6	CB1	CIRCUIT BREAKER(CTRL)
5	MCCB1	CIRCUIT BREAKER(MAIN)
4	MC1, MC2	MAGNETIC CONTACTOR
3	EOCR1, EOCR2	OVERLOAD RELAY
2	M2, M3	FAN MOTOR
1	M1	REF. COMPRESSOR

**\*REVERSE PHASE WARNING**

Be sure to check the rotation direction of the fan motor and the operating condition of the refrigerant compressor.

- The fan motor must rotate clockwise.
- When the refrigerant compressor is operating, the refrigerant suction pressure will be lowered.

When operating in reverse phase, the refrigerant compressor is damaged.

In case of reverse phase, change the position of 2 wires out of 3 wires of the power supply line.

Problems caused by incorrect power connection are not guaranteed.

REV. NO.	DATE	DESCRIPTION	ENGR	CHK	APPR	APPR	APPR
2020.09.18		ISSUED FOR REFERENCE					

PROJECT: \_\_\_\_\_

MANUFACTURER: **GSA**  
Global Service Automation

TITLE: **WIRING DRAWING**

ITEM NO.	HYD-500HT	DWG NO.	GSA-HYD-0500HT-03	REV.	△
SCALE	NONE				