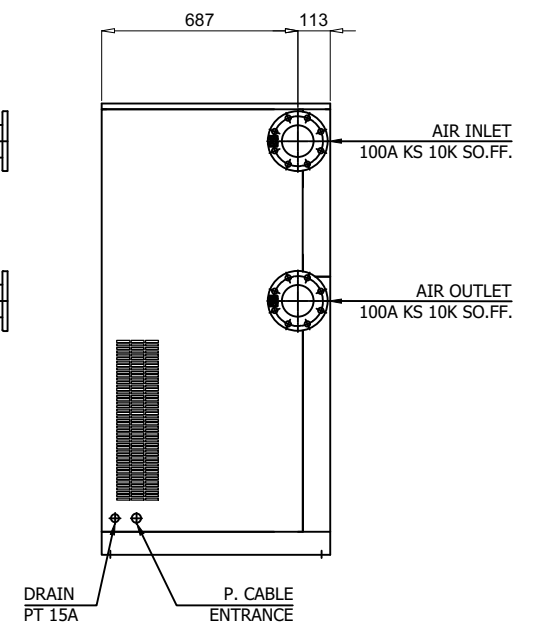
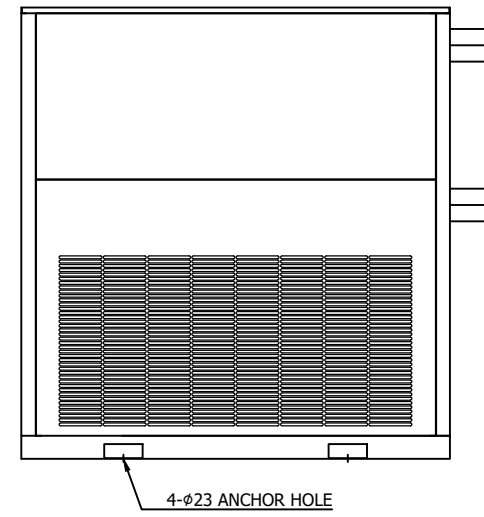
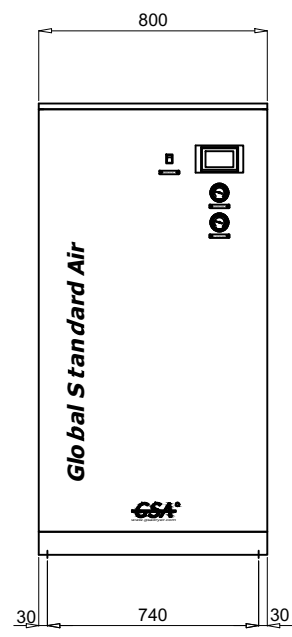
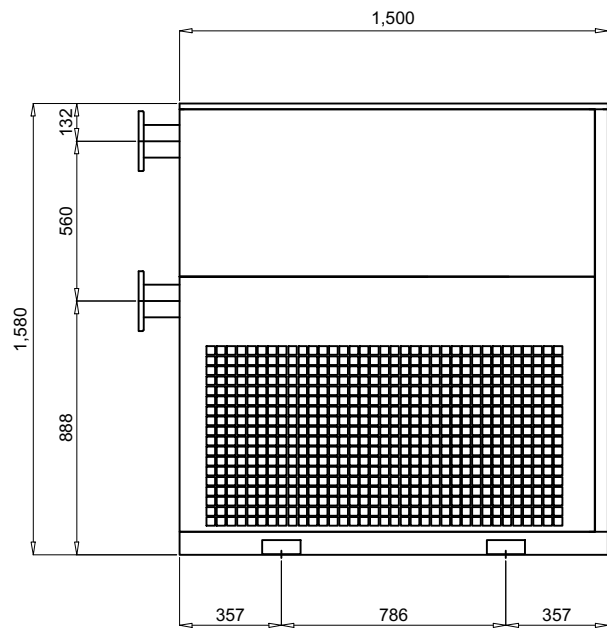
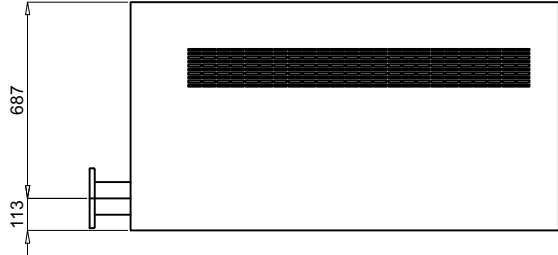
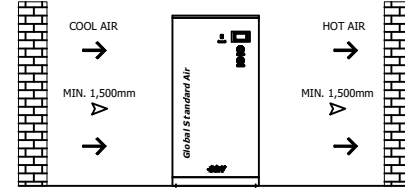
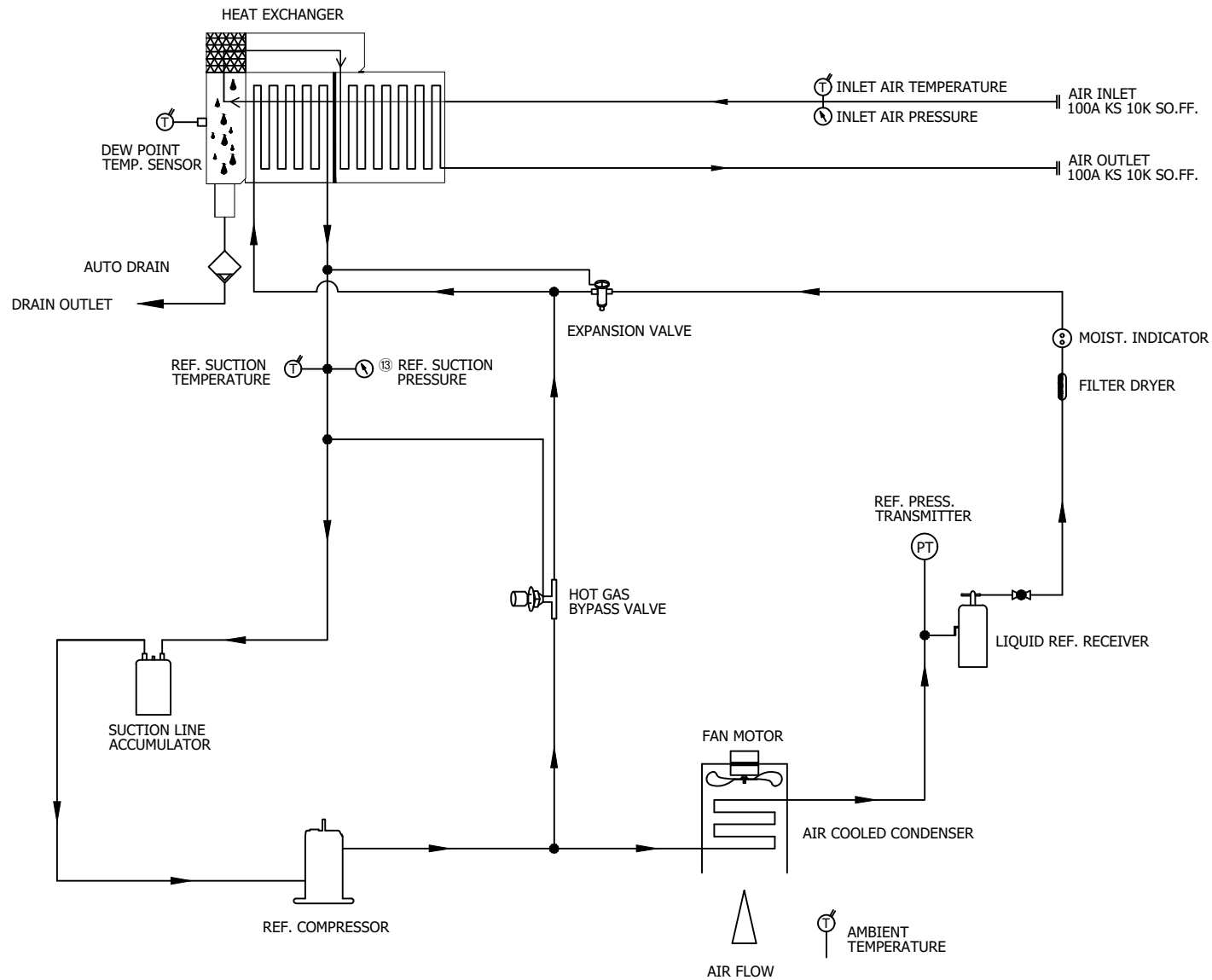
	<b>Refrigerated Air Dryer for High Temp.</b>		Rev.	Date	Prepared By	Checked By	Approved By
			1	2020.09.18	WOO.I.H.	JO.S.J.	KIM.H.W.
	<b>Air Cooled Type</b>		2				
			3				
4							
Project Name		-	Model Name		HYD-300HT		
<b>SPECIFICATION</b>							
1							
2	Supply Voltage	380V	Inlet Flow Rate	47	Nm3/min		
3	Phase	3PH	Inlet Pressure	7	barg		
4	Frequency	60Hz	Inlet Temp.	45	°C		
5	Control use	220V	Outlet Flow Rate	47	Nm3/min		
6	Fulid	Compressed Air	Outlet Pressure	6.8	barg		
7	Location	Indoor	Outlet Temp.	33±5	°C		
8	Design Code	Maker STD.	Pressure Drop	0.2	bar		
9	Area Class	Non-Hazardous	Outlet Dew Point	2~10	°C		
10			Design Pressure	14	barg		
11			Design Temperature	70	°C		
12			Ambient Temperature	32	°C		
<b>CONSTRUCTION</b>							
13							
14	Refrigerant	R-22	Dimension (W x D x H)	800 X 1,500 X 1,580	mm		
15	Ref. Compressor Type	Scroll	Weight	360	kg		
16	Ref. Compressor Capacity	7 HP	Power Consumption	5.9	kW		
17	Condenser Type	Air Cooled	Inlet Connection	100A	KS 10K SO.FF.		
18	Condenser Fan Motor	0.2 kW	Outlet Connection	100A	KS 10K SO.FF.		
19		2 EA	Drain Connection	15A	PT Female Screw		
20	Condenser Fan Size	450 mm	Color (Munsell)	5.7PB 4.1/9.9			
21	Condenser Capacity	7.5 HP		5.7PB 2.9/3.5			
22	Condenser Material	Aluminum & Copper					
23	Heat Exchanger Type	Block					
24	Heat Exchanger Material	Aluminum					
25	Ref. Control Device	TEV					
26	Temp. Control Device	Hot Gas Bypass Valve					
27	Drain Trap Type	Level Sensor					
<b>STANDRAD FEATURES AND CONTROL</b>							
28							
29	Ref. Press. Transmitter	YES	Ref. Compressor	YES			
30	Ref. Liquid Filter Dryer	YES	Expansion Valve	YES			
31	Overload Relay	YES	Hot Gas Bypass Valve	YES			
32	PCB Controller	YES	Air Cooled Condenser	YES			
33	4.3" TFT LCD	YES	Accumulator	YES			
34	Air Pressure Gauge	YES	Liquid Ref. Receiver	YES			
35	Ref. Pressure Gauge	YES	Oil Separator	NO			
36	Dryer Start/Stop Switch	YES	Circuit Breaker(Control)	YES			
37	Moisture Indicator	YES	Ref. Compressor Heater	YES			
38	Drain	YES					
<b>NOTES</b>							
39							
40							
41							
42							
43							
44							
45							
46							

INLET AIR TEMPERATURE	45°C
AMBIENT TEMPERATURE	32°C
INLET AIR PRESSURE	7 barg
CAPACITY	47 Nm <sup>3</sup> /min
IN/OUT CONNECTION	100A KS 10K SO.FF.
DIMENSION(WXDXH, mm)	800 X 1,500 X 1,580
WEIGHT	360 kg
POWER CONSUMPTION	5.9 kW
POWER SUPPLY	380/440V - 3PH - 50/60Hz

COOLING AIR DIRECTION




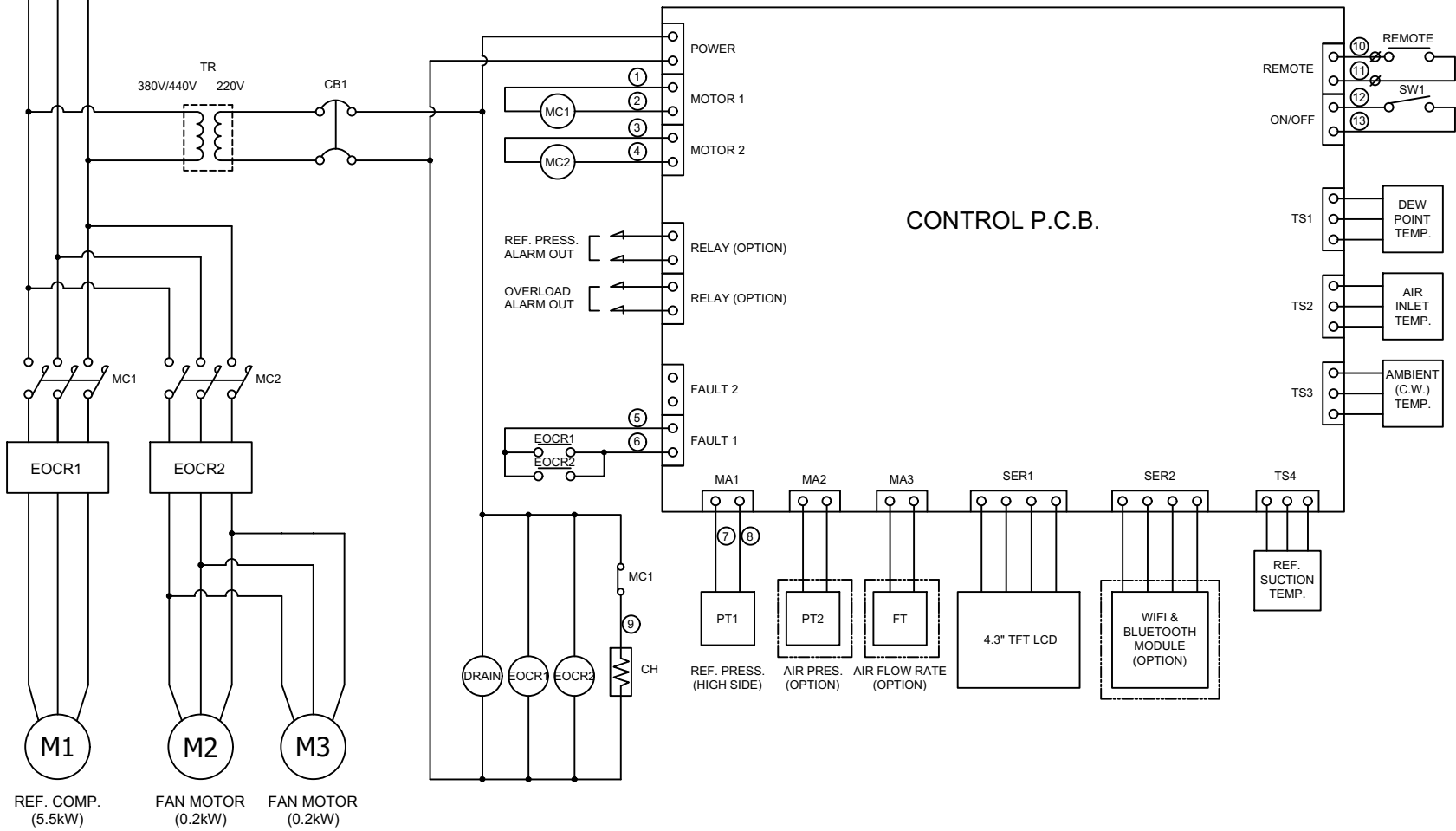
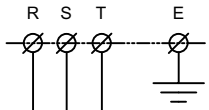
△								
△								
△								
△								
△	2020. 09. 18.	ISSUED FOR REFERENCE						
REV. NO.	DATE	DESCRIPTION	DWG	CHK	APPD	APPD	APPD	
PROJECT								
MANUFACTURER								
TITLE								
OUTLINE DRAWING								
ITEM NO.	HYD-300HT	DWG NO.	GSA-HYD-0300HT-01				REV.	△
SCALE	NONE							



- ← AIR INLET LINE
- AIR OUTLET LINE
- ← REF. LOW PRESS. LINE
- REF. HIGH PRESS. LINE

DEW POINT	2~10°C @ PDP	
INLET AIR PRESSURE	7.0 barg	
INLET AIR TEMPERATURE	45°C	
CAPACITY	47.0 Nm <sup>3</sup> /min	
14	PRESS. GAUGE	AIR INLET 1
13	PRESS. GAUGE	REF. SUCTION 1
12	AUTO DRAIN	PT 15A 1
11	HGBV	- 1
10	ACCUMULATOR	- 1
9	HEAT EXCHANGER	300 HP 1
8	EXPANSION VALVE	7.5 TON 1
7	MOIST. INDICATOR	1/2" 1
6	FILTER DRYER	1/2" 1
5	REF. RECEIVER	- 1
4	REF. PRESS. TRANSMIT.	-1 ~ 35 BAR 1
3	FAN MOTOR	0.2KW 6P φ450 2
2	A/C CONDENSER	7.5 HP (CONDENSING CAPACITY) 1
1	REF. COMPRESSOR	7 HP (COOLING CAPACITY) 1
NO.	PART NAME	DESCRIPTION QTY

△										
△										
△										
△										
△	2020. 09. 18.	ISSUED FOR REFERENCE								
REV. NO.	DATE	DESCRIPTION	DWG	CHK	APPD	APPD	APPD	APPD		
PROJECT										
MANUFACTURER										
 <small>Global Service Automation &amp; Control</small>										
TITLE										
PIPING & INSTRUMENTATION DRAWING										
ITEM NO.	HYD-300HT	DWG NO.	GSA-HYD-0300HT-02				REV.	△		
SCALE	NONE									



POWER SOURCE		
AC 380/440V, 3PH, 50/60Hz		
11	PT1	REF. PRESSURE TRANSMITTER
10	TR	TRANSFORMER
9	SW1	SYSTEM ON/OFF SWITCH
8	CH	REF. COMP. HEATER
7	DRAIN	AUTO DRAIN VALVE
6	TS1 ~ TS4	TEMP. SENSOR
5	CB1	CIRCUIT BREAKER(CTRL)
4	MC1, MC2	MAGNETIC CONTACTOR
3	EOCR1, EOCR2	OVERLOAD RELAY
2	M2, M3	FAN MOTOR
1	M1	REF. COMPRESSOR
NO.	SYMBOL	DESCRIPTION

**\*REVERSE PHASE WARNING**

Be sure to check the rotation direction of the fan motor and the operating condition of the refrigerant compressor.

- The fan motor must rotate clockwise.
- When the refrigerant compressor is operating, the refrigerant suction pressure will be lowered.

When operating in reverse phase, the refrigerant compressor is damaged.

In case of reverse phase, change the position of 2 wires out of 3 wires of the power supply line.

Problems caused by incorrect power connection are not guaranteed.

REV. NO.	DATE	DESCRIPTION	ENGR	CHK	APPD	APPD	APPD
2020.09.18.		ISSUED FOR REFERENCE					

MANUFACTURER

**GSA**  
Global Service Automation

TITLE

**WIRING DRAWING**

ITEM NO.	HYD-300HT	DWG NO.	GSA-HYD-0300HT-03	REV.	△
SCALE	NONE				