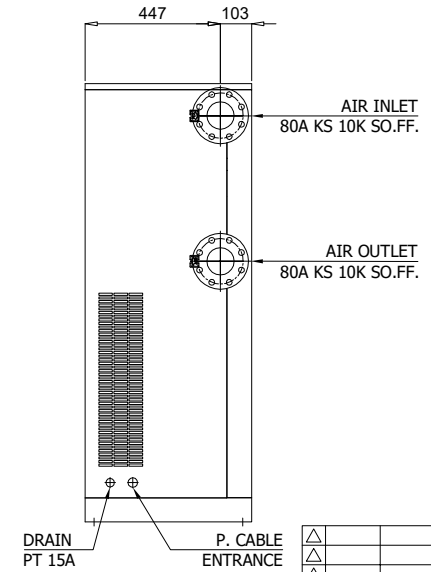
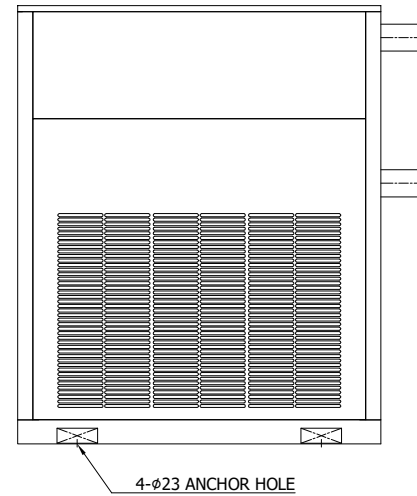
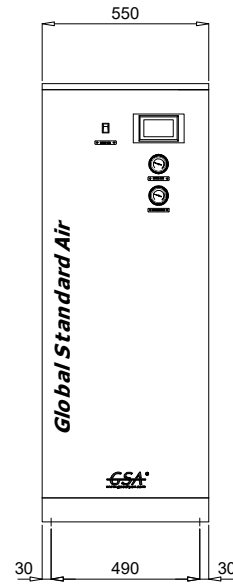
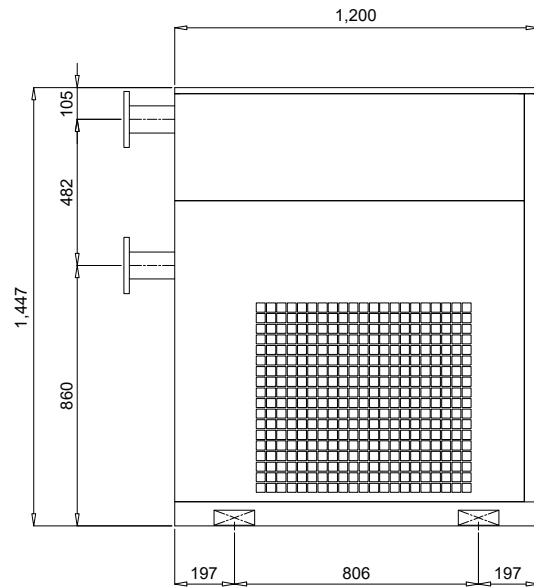
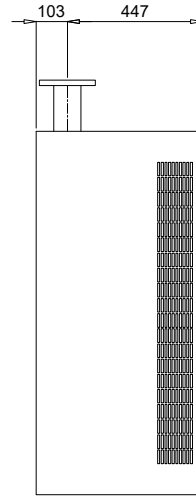
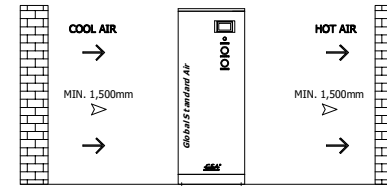
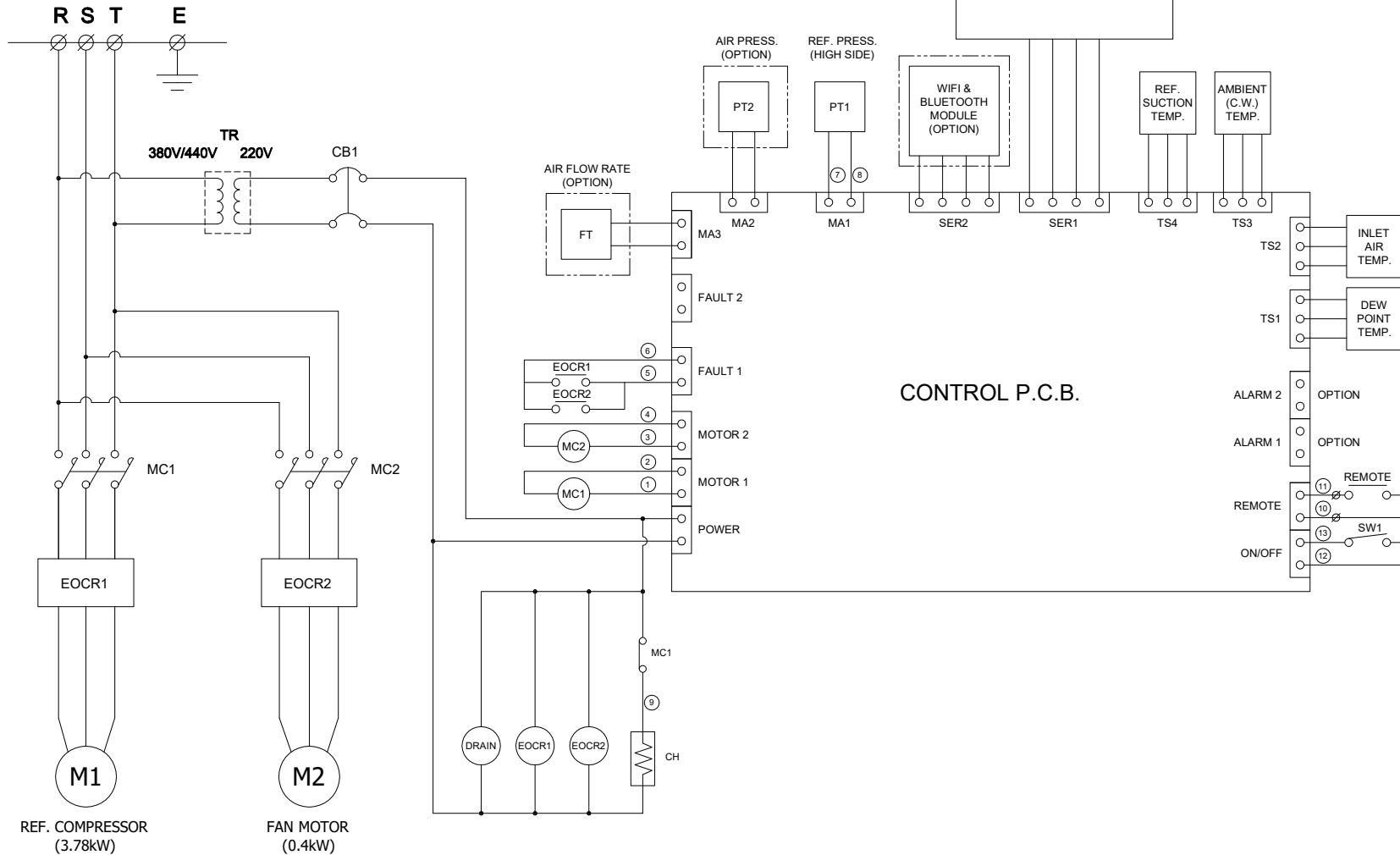
	<b>2<sup>nd</sup> Generation Refrigerated Air Dryer</b>		Rev.	Date	Prepared By	Checked By	Approved By
			1	2020.09.18	WOO.I.H.	JO.S.J.	KIM.H.W.
	<b>Air Cooled Type</b>		2				
			3				
4							
Project Name			-		Model Name		HYD-200N2
<b>SPECIFICATION</b>							
1							
2	Supply Voltage	380V	Inlet Flow Rate	30	Nm <sup>3</sup> /min		
3	Phase	3PH	Inlet Pressure	7	barg		
4	Frequency	60Hz	Inlet Temp.	38	°C		
5	Control use	220V	Outlet Flow Rate	30	Nm <sup>3</sup> /min		
6	Fulid	Compressed Air	Outlet Pressure	6.8	barg		
7	Location	Indoor	Outlet Temp.	28±5	°C		
8	Design Code	Maker STD.	Pressure Drop	0.2	bar		
9	Area Class	Non-Hazardous	Outlet Dew Point	2~10	°C		
10			Design Pressure	9.7	barg		
11			Design Temperature	70	°C		
12			Ambient Temperature	32	°C		
<b>CONSTRUCTION</b>							
13							
14	Refrigerant	R-22	Dimension (W x L x H)	550 X 1200 X 1447	mm		
15	Ref. Compressor Type	Scroll	Weight	240	kg		
16	Ref. Compressor Capacity	5 HP	Power Consumption	2.09	kW		
17	Condenser Type	Air Cooled	Inlet Connection	80A	KS 10K SO.FF.		
18	Condenser Fan Motor	0.4 kW	Outlet Connection	80A	KS 10K SO.FF.		
19		1 EA	Drain Connection	15A	PT Female Screw		
20	Condenser Fan Size	600 mm	Color (Munsell)	5.7PB 4.1/9.9			
21	Condenser Capacity	4 HP		5.7PB 2.9/3.5			
22	Condenser Material	Aluminum & Copper					
23	Heat Exchanger Type	Block					
24	Heat Exchanger Material	Aluminum					
25	Ref. Control Device	TEV					
26	ECO Mode Control	Dew Point Temp. Control					
27	Drain Trap Type	Level Sensor					
<b>STANDRAD FEATURES AND CONTROL</b>							
28							
29	Ref. Press. Transmitter	YES	Ref. Compressor	YES			
30	Ref. Liquid Filter Dryer	YES	Expansion Valve	YES			
31	Overload Relay	YES	Hot Gas Bypass Valve	NO			
32	PCB Controller	YES	Air Cooled Condenser	YES			
33	4.3" TFT LCD	YES	Accumulator	YES			
34	Air Pressure Gauge	YES	Liquid Ref. Receiver	YES			
35	Ref. Pressure Gauge	YES	Oil Separator	NO			
36	Dryer Start/Stop Switch	YES	Circuit Breaker(Control)	YES			
37	Moisture Indicator	YES	Ref. Compressor Heater	YES			
38	Drain	YES					
<b>NOTES</b>							
39							
40							
41							
42							
43							
44							
45							
46							

INLET AIR TEMPERATURE	38°C
AMBIENT TEMPERATURE	32°C
INLET AIR PRESSURE	7 barg
CAPACITY	30.0 Nm <sup>3</sup> /min
IN/OUT CONNECTION	80A KS 10K SO.FF.
DIMENSION(WXDXH, mm)	550 X 1,200 X 1,447
WEIGHT	240 kg
MIN. POWER CONSUMPTION	2.09 kW
POWER SUPPLY	380/440V - 3PH - 50/60HZ

COOLING AIR DIRECTION



△										
△										
△										
△										
△										
△	2020.09.18.	ISSUED FOR REFERENCE								
REV. NO.	DATE	DESCRIPTION	ENGR	CHK	APPD	APPD	APPD			
PROJECT										
MANUFACTURER										
TITLE										
OUTLINE DRAWING										
ITEM NO.	HYD-2002Z	DWG NO.	GSA-HYD-0200N2-01							REV.
SCALE	NONE									△



NO.	SYMBOL	DESCRIPTION
		POWER SOURCE AC 380/440V, 3Ph, 50/60Hz
11	MA1 ~ MA3	PRESSURE & FLOW RATE SENSOR
10	TR	TRANSFORMER
9	SW1	SYSTEM ON/OFF SWITCH
8	C.H.	REF. COMP. HEATER
7	DRAIN	AUTO DRAIN VALVE
6	TS1 ~ TS4	TEMP. SENSOR
5	CB1	CIRCUIT BREAKER(CTRL)
4	MC1, MC2	MAGNETIC CONTACTOR
3	EOCR1, EOCR2	OVERLOAD RELAY
2	M2	FAN MOTOR
1	M1	REF. COMPRESSOR

**\*REVERSE PHASE WARNING**

Be sure to check the rotation direction of the fan motor and the operating condition of the refrigerant compressor.

- The fan motor must rotate clockwise.
- When the refrigerant compressor is operating, the refrigerant suction pressure will be lowered.

When operating in reverse phase, the refrigerant compressor is damaged.

In case of reverse phase, change the position of 2 wires out of 3 wires of the power supply line.

Problems caused by incorrect power connection are not guaranteed.

△									
△									
△									
△									
△	2020.09.18.	ISSUED FOR REFERENCE							
REV.	NO.	DATE	DESCRIPTION	DWG.	CHK.	APPD.	APPD.	APPD.	
PROJECT									

MANUFACTURER

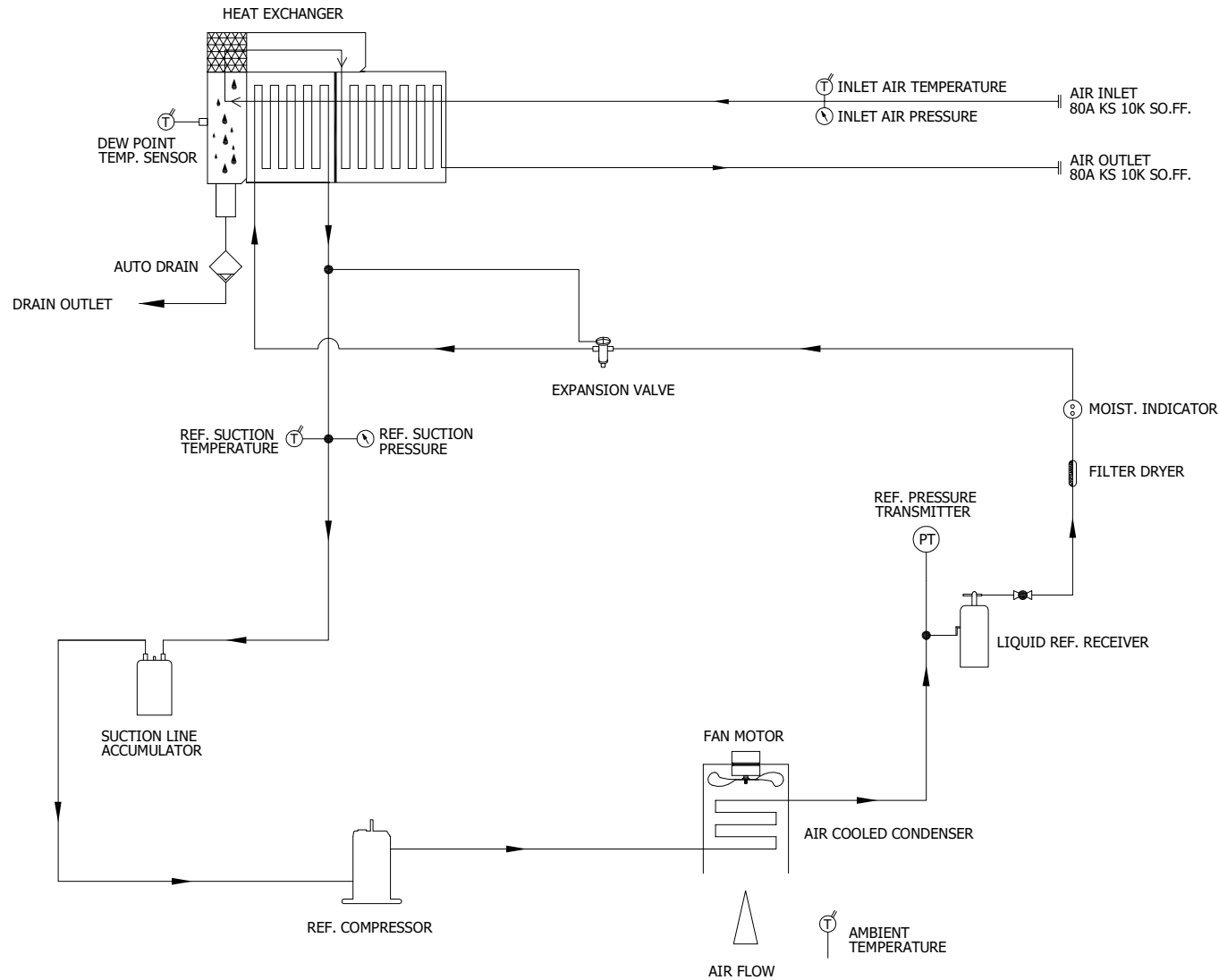
**GSA**  
Global Standard Air & Gas

TITLE

**WIRING DRAWING**

ITEM NO.	HYD-200N2	DWG NO.		REV.	
SCALE	NONE	GSA-HYD-0200N2-03			

(A4 : 297mm x 210mm)



AIR INLET LINE  
 AIR OUTLET LINE  
 REF. LOW PRESS. LINE  
 REF. HIGH PRESS. LINE

DEW POINT		2~10°C @ PDP	
INLET AIR PRESSURE		7.0 BARG	
INLET AIR TEMPERATURE		38°C	
CAPACITY		30.0 Nm <sup>3</sup> /min	
13	PRESS. GAUGE	INLET AIR	1
12	PRESS. GAUGE	REF. SUCTION	1
11	AUTO DRAIN	PT 15A	1
10	ACCUMULATOR	-	1
9	HEAT EXCHANGER	200 HP	1
8	EXPANSION VALVE	5 TON	1
7	MOIST. INDICATOR	1/2"	1
6	FILTER DRYER	1/2"	1
5	REF. RECEIVER	-	1
4	REF. PRESS. TRANSMIT.	-1 ~ 35 BAR	1
3	FAN MOTOR	0.4KW 6P #600	1
2	A/C CONDENSER	4 HP (CONDENSING CAPACITY)	1
1	REF. COMPRESSOR	5 HP (COOLING CAPACITY)	1
NO.	PART NAME	DESCRIPTION	QTY

△										
△										
△										
△										
△										
△	2020.09.18.	ISSUED FOR REFERENCE								
REV. NO.	DATE	DESCRIPTION	ENGR	CHK	APPD	APPD	APPD	APPD	APPD	
PROJECT										
MANUFACTURER										
TITLE										
PIPING & INSTRUMENTATION DRAWING										
ITEM NO.	HYD-2002K	DWG NO.	GSA-HYD-0200N2-02				REV.	△		
SCALE	NONE								1	(A4 : 297mm x 210mm)