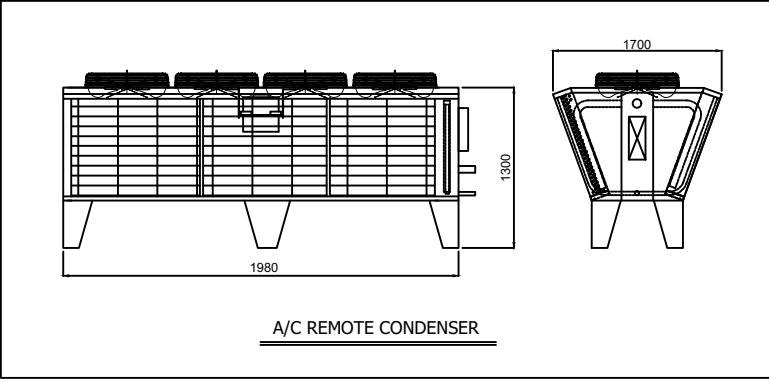
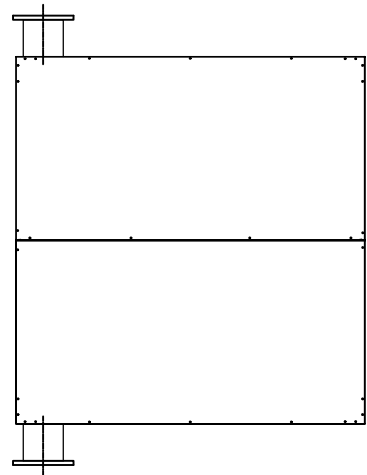
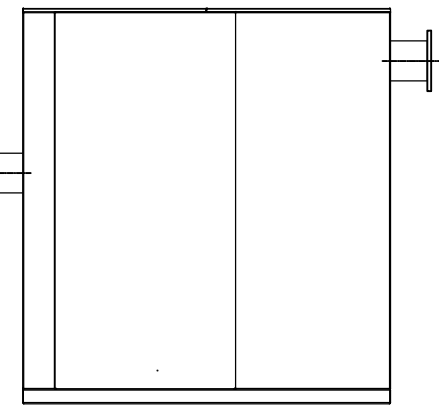
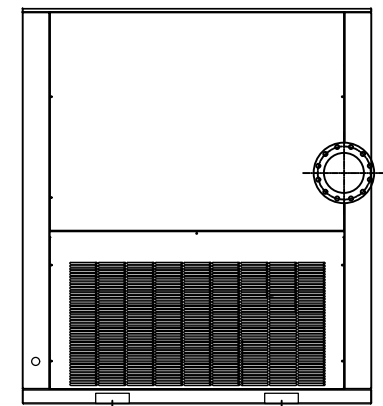
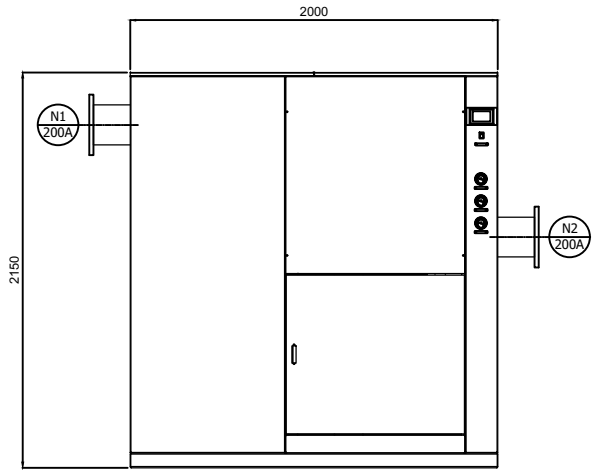
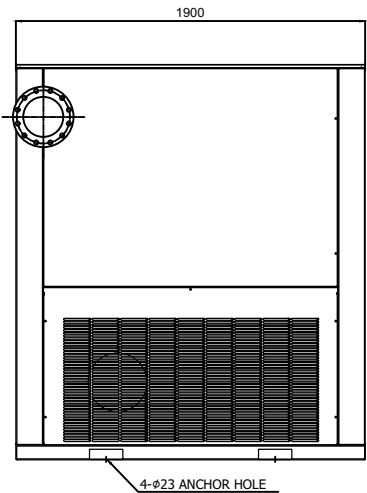

	Refrigerated Air Dryer for High Temp.		Rev.	Date	Prepared By	Checked By	Approved By
			1	2020.09.18	WOO.I.H.	JO.S.J.	KIM.H.W.
	Air Cooled Type		2				
			3				
4							
Project Name		-	Model Name		HYD-1200HT		
SPECIFICATION							
1							
2	Supply Voltage	380V	Inlet Flow Rate	180	Nm ³ /min		
3	Phase	3PH	Inlet Pressure	7	barg		
4	Frequency	60Hz	Inlet Temp.	45	°C		
5	Control use	220V	Outlet Flow Rate	180	Nm ³ /min		
6	Fulid	Compressed Air	Outlet Pressure	6.8	barg		
7	Location	Indoor	Outlet Temp.	33±5	°C		
8	Design Code	Maker STD.	Pressure Drop	0.2	bar		
9	Area Class	Non-Hazardous	Outlet Dew Point	2-10	°C		
10			Design Pressure	9.7	barg		
11			Design Temperature	70	°C		
12			Ambient Temperature	32	°C		
CONSTRUCTION							
13							
14	Refrigerant	R-22	Dryer Dimension (W x D x H)	2,000 X 1,900 X 2,150	mm		
15	Ref. Compressor Type	Scroll	Condenser (W x D x H)	1,980 X 1,700 X 1300	mm		
16	Ref. Compressor Capacity	40 HP	Dryer Weight	1,450	kg		
17	Condenser Type	Remote, Air Cooled	Condenser Weight	470	kg		
18	Condenser Fan Motor	0.75 kW	Power Consumption	40	kW		
19		4 EA	Inlet Connection	200A	KS 10K SO.FF.		
20	Condenser Fan Size	630 mm	Outlet Connection	200A	KS 10K SO.FF.		
21	Condenser Capacity	40 HP	Drain Connection	15A	PT Female Screw		
22	Condenser Material	Aluminum & Copper	Color (Munsell)	5.7PB 4.1/9.9			
23	Heat Exchanger Type	Block		5.7PB 2.9/3.5			
24	Heat Exchanger Material	Aluminum					
25	Ref. Control Device	TEV					
26	Temp. Control Device	Hot Gas Bypass Valve					
27	Drain Trap Type	Level Sensor					
STANDRAD FEATURES AND CONTROL							
28							
29	Ref. Press. Transmitter	YES	Ref. Compressor	YES			
30	Ref. Liquid Filter Dryer	YES	Expansion Valve	YES			
31	Overload Relay	YES	Hot Gas Bypass Valve	YES			
32	PCB Controller	YES	Air Cooled Condenser	YES			
33	4.3" TFT LCD	YES	Accumulator	YES			
34	Air Pressure Gauge	YES	Liquid Ref. Receiver	YES			
35	Ref. Pressure Gauge	YES	Oil Separator	YES			
36	Dryer Start/Stop Switch	YES	Circuit Breaker	YES			
37	Moisture Indicator	YES	Ref. Compressor Heater	YES			
38	Drain	YES					
NOTES							
39							
40							
41							
42							
43							
44							
45							
46							

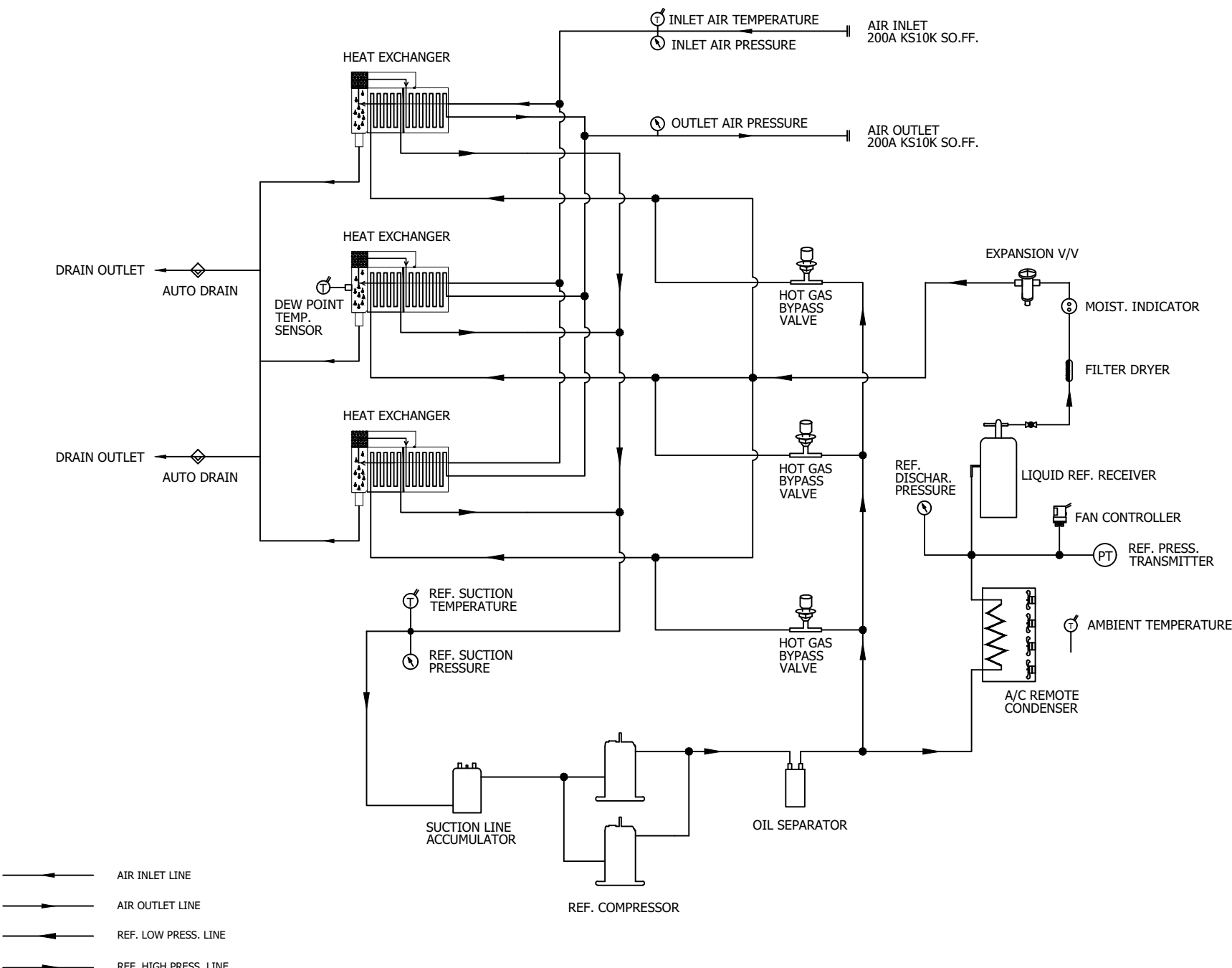


SPECIFICATION	
INLET AIR TEMPERATURE	45°C
AMBIENT TEMPERATURE	32°C
DEW POINT	2~10°C @ PDP
INLET AIR PRESSURE	7 barg
CAPACITY	180 Nm ³ /min
A/C REMOTE CONDENSER	40HP
DIMENSION(WXDXH, mm)	2,000 X 1,900 X 2150
DRYER / COND. WEIGHT	1,450 kg / 470 kg
POWER CONSUMPTION	40 kW
POWER SUPPLY	380/440V - 3PH - 50/60HZ

NOZZLE		
N1	AIR INLET	200A KS10K SO.FF.
N2	AIR OUTLET	200A KS10K SO.FF.




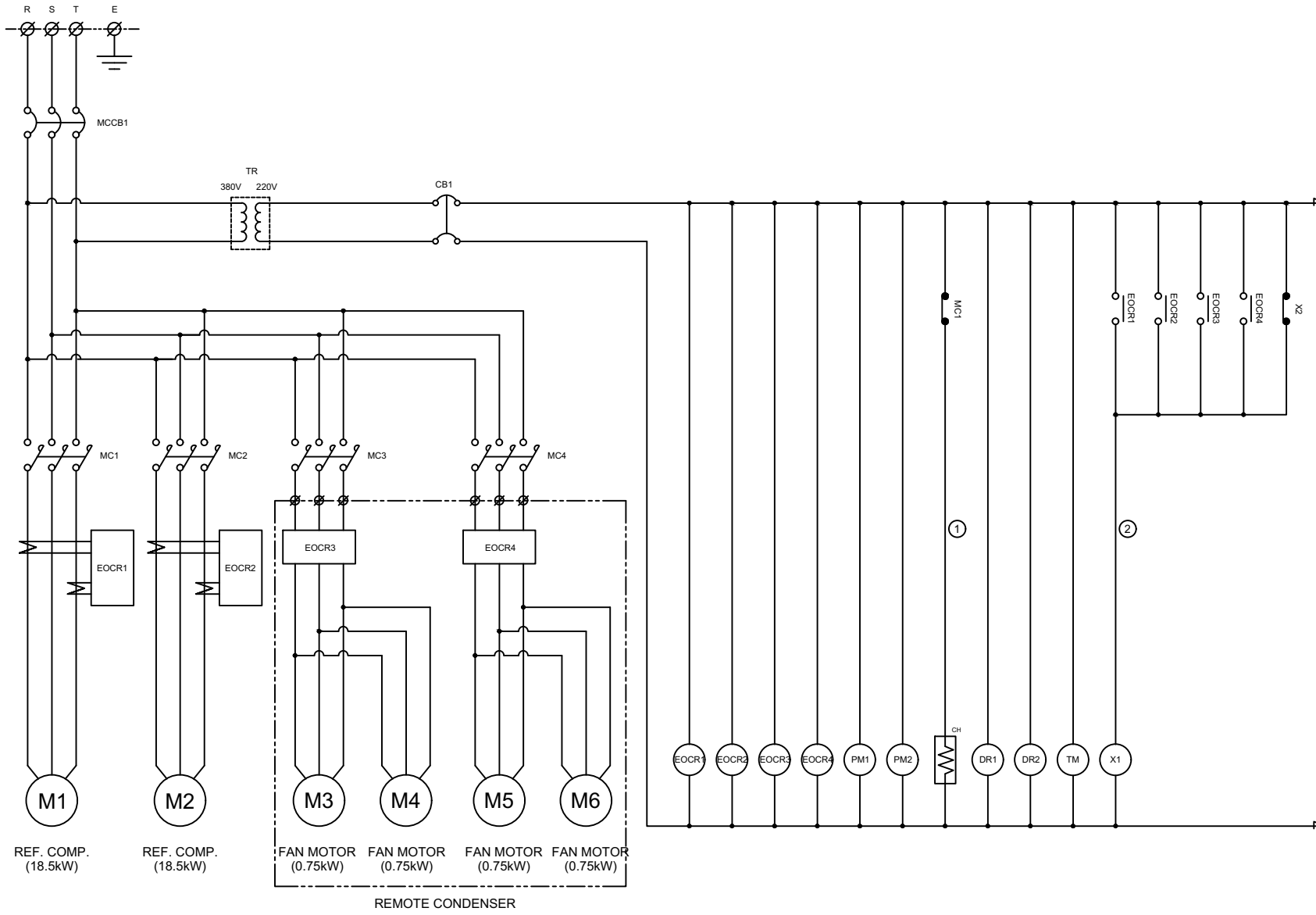
△										
△										
△										
△										
△										
△										
REV. NO.	DATE	DESCRIPTION	DWG	CHK	APPD	APPD	APPD	APPD	APPD	
	2020. 09. 18.	ISSUED FOR REFERENCE								
PROJECT										
MANUFACTURER										
 GSA Global Services of America										
TITLE										
OUTLINE DRAWING										
ITEM NO.	HYD-1200HT	DWG NO.	GSA-HYD-1200HT-01							REV.
SCALE	NONE								△	



← AIR INLET LINE
 → AIR OUTLET LINE
 ← REF. LOW PRESS. LINE
 → REF. HIGH PRESS. LINE

DEW POINT	2~10°C @ PDP		
INLET AIR PRESSURE	7.0 barg		
INLET AIR TEMPERATURE	45°C		
CAPACITY	180 Nm ³ /min		
16	PRESS. GAUGE	OUTLET AIR	1
15	PRESS. GAUGE	INLET AIR	1
14	PRESS. GAUGE	REF. SUCTION	1
13	AUTO DRAIN	PT 15A	2
12	HGBV	-	3
11	ACCUMULATOR	-	1
10	HEAT EXCHANGER	400 HP	3
9	EXPANSION VALVE	40 TON	1
8	MOIST. INDICATOR	-	1
7	FILTER DRYER	-	1
6	REF. RECEIVER	-	1
5	FAN CONTROLLER	-	1
4	REF. PRESS. TRANSMIT.	-1 ~ 35 BAR	1
3	REMOTE CONDENSER	40 HP(COND. CAPACITY) (0.75kW, 8P, 630#, 4EA)	1
2	OIL SEPARATOR	-	1
1	REF. COMPRESSOR	20HP (COOLING CAPACITY)	2
NO.	PART NAME	DESCRIPTION	QTY

△											
△											
△											
△											
REV. NO.	DATE	DESCRIPTION	ENG	CHK	APPD	APPD	APPD	APPD	APPD		
1	2020. 09. 18.	ISSUED FOR REFERENCE									
PROJECT											
MANUFACTURER											
 GSA <small>Global Service Air & Gas</small>											
TITLE											
PIPING & INSTRUMENTATION DRAWING											
ITEM NO.	HYD-1200HT	DWG NO.	GSA-HYD-1200HT-02							REV.	△
SCALE	NONE										



POWER SOURCE		
AC 380/440V, 3Ph, 50/60Hz		
15	TM	TIMER
14	FC	FAN CONTROLLER
13	X1, X2	RELAY
12	DR1, DR2	CONDENSATE WATER DRAIN
11	CH	REF. COMP. HEATER
10	PM1, PM2	REF. COMP. PROTECTION MODULE
9	CB1	CIRCUIT BREAKER
8	TR	TRANSFORMER
7	EOCR3, EOCR4	FAN MOTOR OVERLOAD RELAY
6	EOCR1, EOCR2	REF. COMP. OVERLOAD RELAY
5	MC3, MC4	FAN MOTOR MAGNETIC CONTACTOR
4	MC1, MC2	REF. COMP. MAGNETIC CONTACTOR
3	MCCB1	MOLDED CASE CIRCUIT BREAKER
2	M3, M4, M5, M6	FAN MOTOR
1	M1, M2	REF. COMPRESSOR
NO.	SYMBOL	DESCRIPTION

***REVERSE PHASE WARNING**


Be sure to check the rotation direction of the fan motor and the operating condition of the refrigerant compressor.

- The fan motor must rotate clockwise.
- When the refrigerant compressor is operating, the refrigerant suction pressure will be lowered.

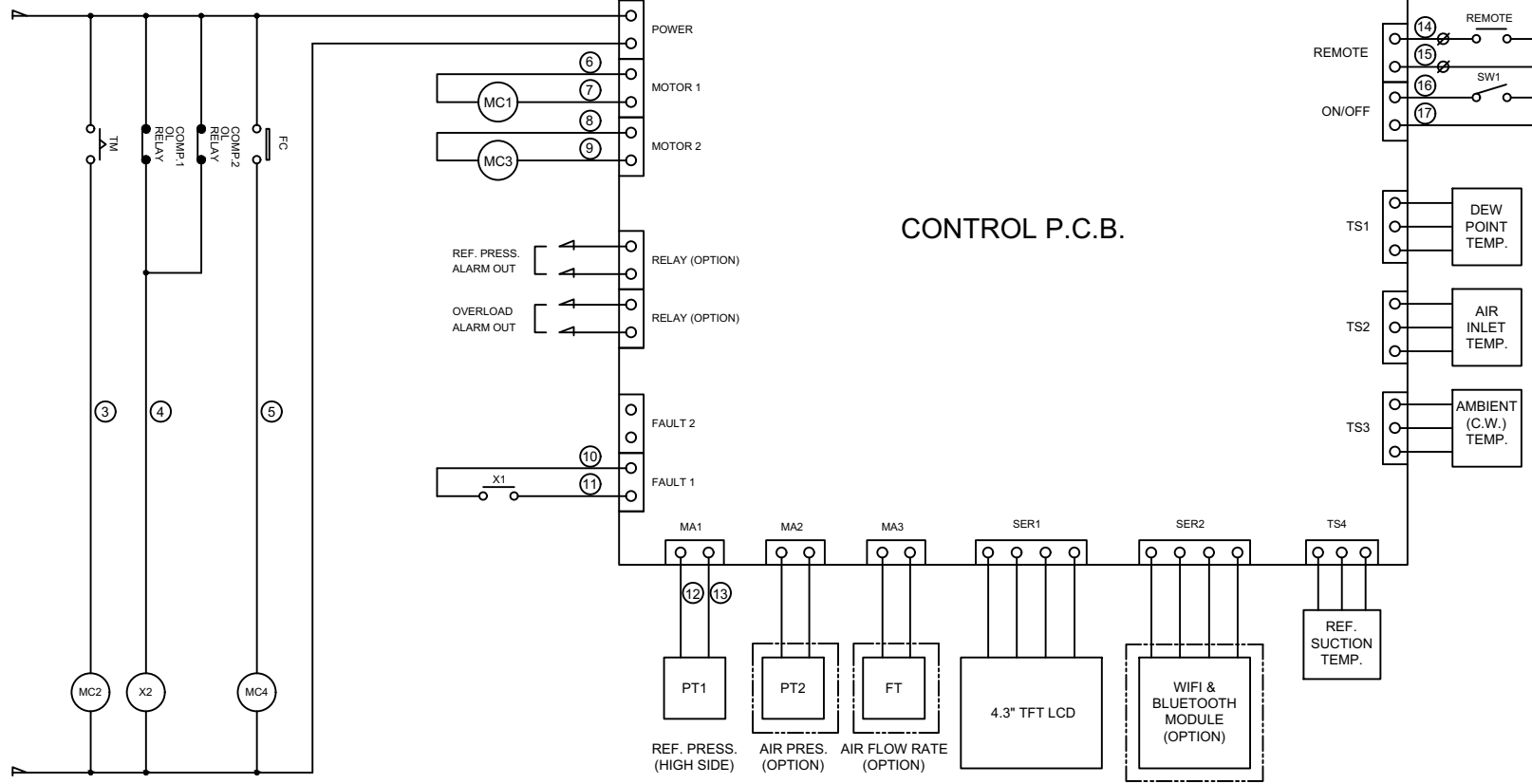
When operating in reverse phase, the refrigerant compressor is damaged.

In case of reverse phase, change the position of 2 wires out of 3 wires of the power supply line.

Problems caused by incorrect power connection are not guaranteed.

△											
△											
△											
△											
△											
REV. NO.	DATE	DESCRIPTION	DWG	CHK	APPD	APPD	APPD	APPD	APPD		
1	2020.09.18	ISSUED FOR REFERENCE									
PROJECT											
-											
MANUFACTURER											
 GSA Global Service Air & Gas											
TITLE											
WIRING DRAWING											
ITEM NO.	HYD-1200HT	DWG NO.	GSA-HYD-1200HT-03_01							REV.	△
SCALE	NONE										

FROM
GSA-HYD-1200HT-03_01



CONTROL P.C.B.

POWER SOURCE		
AC 380/440V, 3Ph, 50/60Hz		
15	TM	TIMER
14	FC	FAN CONTROLLER
13	X1, X2	RELAY
12	DR1, DR2	CONDENSATE WATER DRAIN
11	CH	REF. COMP. HEATER
10	PM1, PM2	REF. COMP. PROTECTION MODULE
9	CB1	CIRCUIT BREAKER
8	TR	TRANSFORMER
7	EOCR3, EOCR4	FAN MOTOR OVERLOAD RELAY
6	EOCR1, EOCR2	REF. COMP. OVERLOAD RELAY
5	MC3, MC4	FAN MOTOR MAGNETIC CONTACTOR
4	MC1, MC2	REF. COMP. MAGNETIC CONTACTOR
3	MCCB1	MOLDED CASE CIRCUIT BREAKER
2	M3, M4, M5, M6	FAN MOTOR
1	M1, M2	REF. COMPRESSOR
NO.	SYMBOL	DESCRIPTION

***REVERSE PHASE WARNING**

Be sure to check the rotation direction of the fan motor and the operating condition of the refrigerant compressor.


- The fan motor must rotate clockwise.
- When the refrigerant compressor is operating, the refrigerant suction pressure will be lowered.

When operating in reverse phase, the refrigerant compressor is damaged.

In case of reverse phase, change the position of 2 wires out of 3 wires of the power supply line.

Problems caused by incorrect power connection are not guaranteed.

△									
△									
△									
△									
△									
△	2020.09.18.	ISSUED FOR REFERENCE							
REV. NO.	DATE	DESCRIPTION	DWG	CHK	APPD	APPD	APPD	APPD	APPD

PROJECT										
-										
MANUFACTURER										
 GSA Global Service Automation & Control										
TITLE										
WIRING DRAWING										
ITEM NO.	HYD-1200HT	DWG NO.	GSA-HYD-1200HT-03_02							REV.
SCALE	NONE								△	