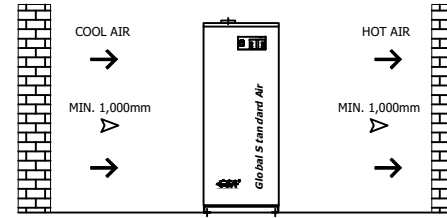
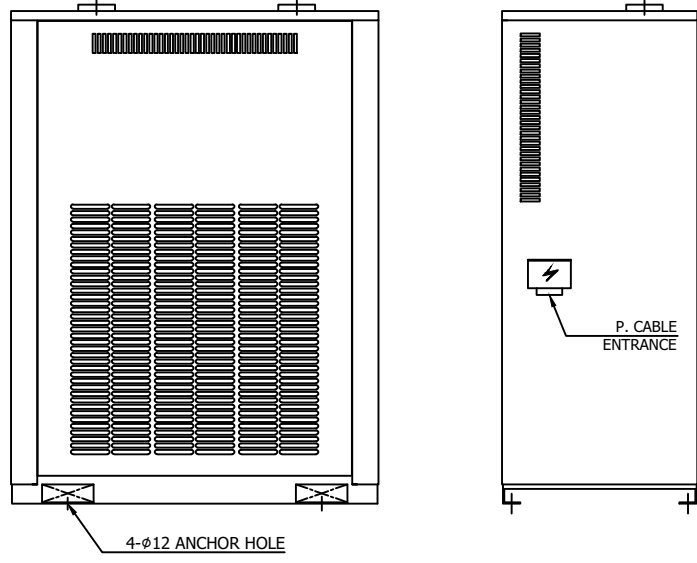
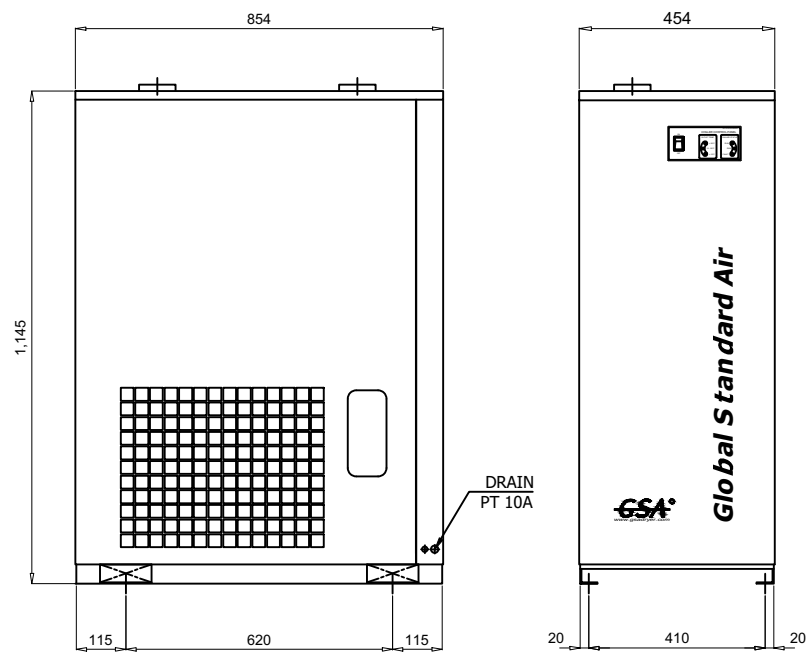
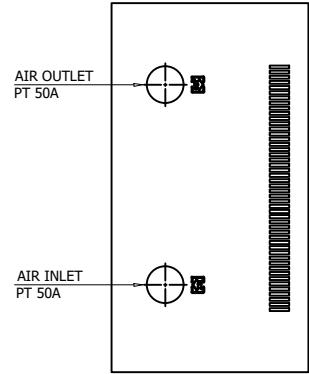
	<b>Refrigerated Air Chiller</b>		Rev.	Date	Prepared By	Checked By	Approved By
			A	2020.09.22	WOO.I.H.	JO.S.J.	KIM.H.W.
	<b>Air Cooled Type</b>		B				
			C				
			D				
Project Name		-	Model Name		HYD-100CH		
<b>SPECIFICATION</b>							
1							
2	Supply Voltage	380V	Inlet Flow Rate	14.2	Nm3/min		
3	Phase	3PH	Inlet Pressure	7	barg		
4	Frequency	60Hz	Inlet Temp.	32	°C		
5	Control use	220V	Inlet Air Condition	Dried Air			
6	Fluid	Compressed Air	Outlet Flow Rate	14.2	Nm3/min		
7	Location	Indoor	Outlet Pressure	6.8	barg		
8	Design Code	Maker STD.	Outlet Temp.	10	°C		
9	Area Class	Non-Hazardous	Pressure Drop	0.2	bar		
10			Design Pressure	14	barg		
11			Design Temperature	70	°C		
12			Ambient Temperature	32	°C		
<b>CONSTRUCTION</b>							
14	Refrigerant	R-22	Dimension (W x L x H)	454 X 854 X 1,145	mm		
15	Ref. Compressor Type	Recipro Hemertic	Weight	120	kg		
16	Ref. Compressor Capacity	2 HP	Power Consumption	2.34	kW		
17	Condenser Type	Air Cooled	Inlet Connection	50A	PT Female Screw		
18	Condenser Fan Motor	0.2 kW	Outlet Connection	50A	PT Female Screw		
19		1 EA	Drain Connection(Optional)	10A	PT Female Screw		
20	Condenser Fan Size	450 mm	Color (Munsell)	5.7PB 4.1/9.9			
21	Condenser Capacity	2 HP		5.7PB 2.9/3.5			
22	Condenser Material	Aluminum & Copper					
23	Heat Exchanger Type	Block					
24	Heat Exchanger Material	Aluminum					
25	Ref. Control Device	Capillary Tube					
26							
27							
<b>STANDRAD FEATURES AND CONTROL</b>							
29	Ref. Compressor	YES	PCB Controller	YES			
30	Air Cooled Condenser	YES	Air Pressure Gauge	NO			
31	Fan Motor	YES	Ref. Pressur Gauge	NO			
32	Fan Controller	YES	Suction Line Accumulator	NO			
33	Ref. High Pressure Switch	YES	Liquid Ref. Receiver	NO			
34	Filter Dryer	YES					
35	Capillary Tube	YES					
36	Heat Exchanger	YES					
37	Temperature Sensor	YES					
38	Hot Gas Bypass Valve	NO					
<b>NOTES</b>							
40							
41							
42							
43							
44							
45							
46							


COOLING AIR DIRECTION



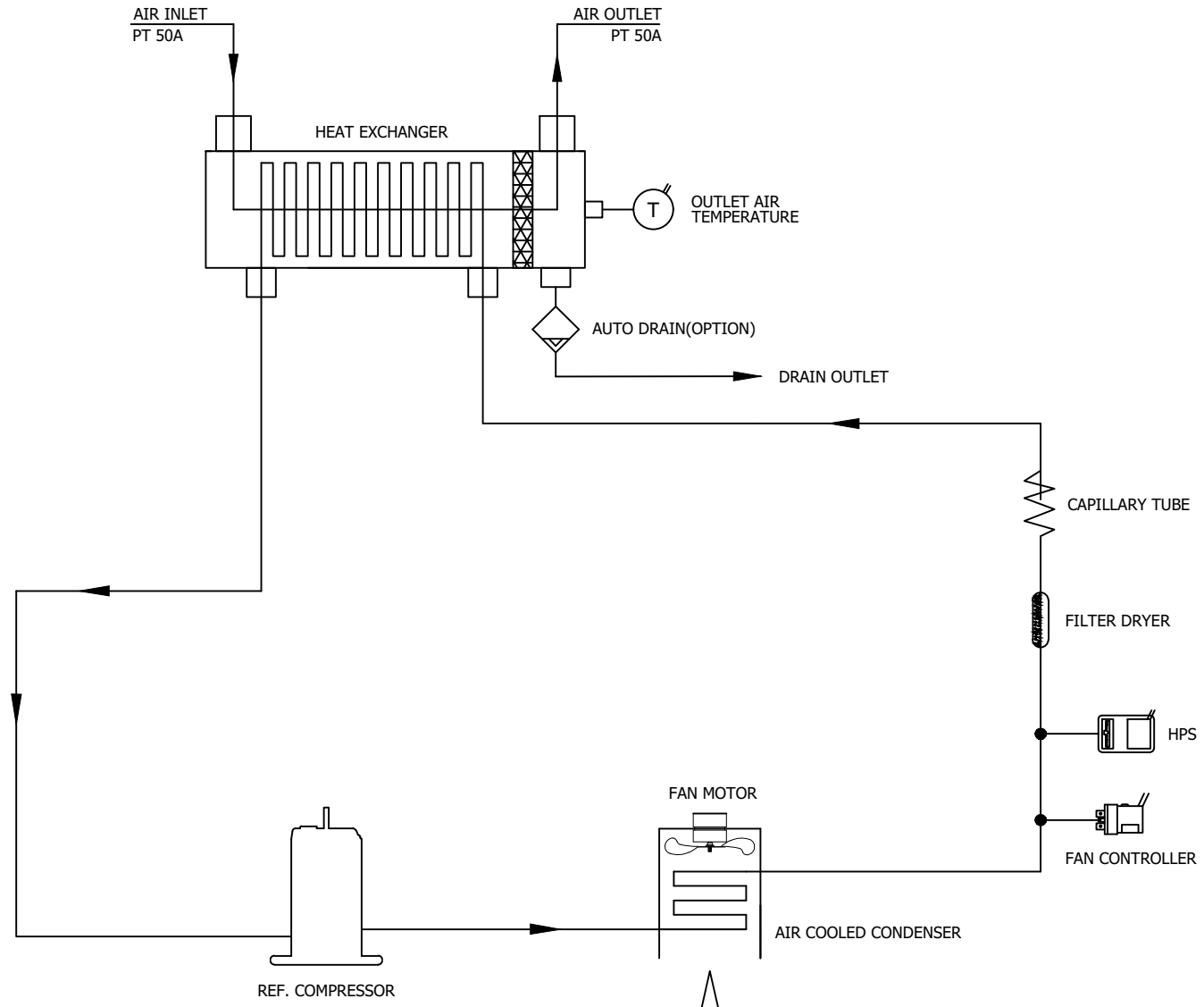
SPECIFICATION

INLET/OUTLET AIR TEMP.	32°C / 10°C
INLET AIR PRESSURE	7 barg
INLET AIR CONDITION	DRIED AIR
CAPACITY	14.2 Nm <sup>3</sup> /min
IN/OUT CONNECTION	PT 50A
DIMENSION(WXDXH, mm)	454 X 854 X 1,145
WEIGHT	120 kg
POWER CONSUMPTION	2.34 kW
POWER SUPPLY	380/440V - 3PH - 50/60Hz




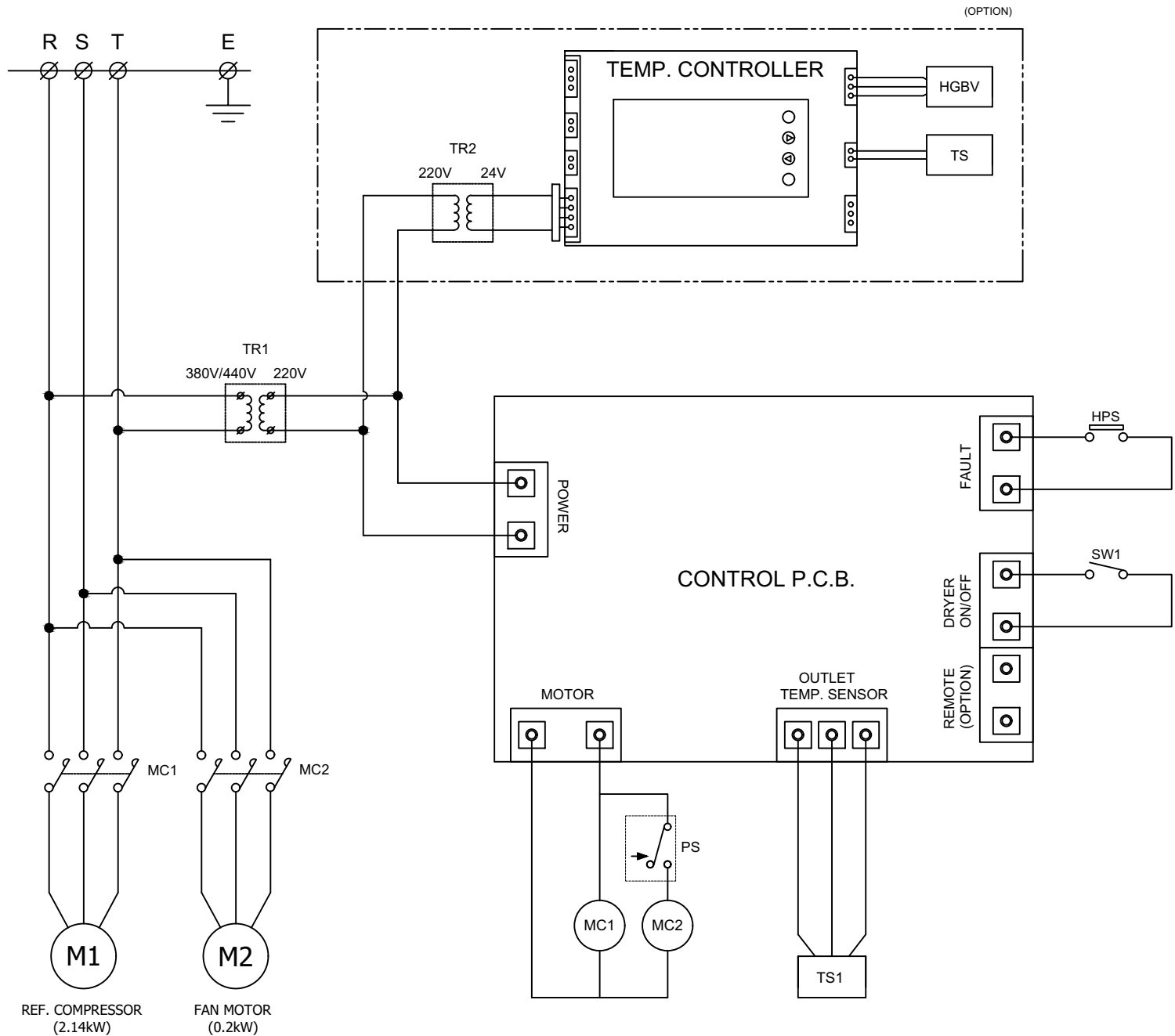
REV. NO.	DATE	DESCRIPTION	ENGR	CHK	APPD	APPD	APPD	
1	2020.09.21	ISSUED FOR REFERENCE						
PROJECT								
MANUFACTURER								
 Global Standard Air & Gas								
TITLE								
OUTLINE DRAWING								
ITEM NO.	HYD-100CH	DWG NO.	GSA-HYD-0100CH-01				REV.	1
SCALE	NONE							(A1 : 841mm x 594mm)

INLET/OUTLET AIR TEMP.		32°C / 10°C
INLET AIR PRESSURE		7 barg
INLET AIR CONDITION		DRIED AIR
CAPACITY		14.2 Nm <sup>3</sup> /min
9	AUTO DRAIN	OPTION 1
8	HEAT EXCHANGER	100 HP 1
7	CAPILLARY TUBE	- 1
6	FILTER DRYER	3/8" 1
5	HPS	24 barg 1
4	FAN CONTROLLER	12~18 barg 1
3	FAN MOTOR	0.2KW 6P φ450 1
2	A/C CONDENSER	2 HP 1
1	REF. COMPRESSOR	2 HP 1
NO.	PART NAME	DESCRIPTION QTY




- ← AIR INLET LINE
- AIR OUTLET LINE
- ← REF. LOW PRESS. LINE
- REF. HIGH PRESS. LINE

△											
△											
△											
△											
△	2020.09.21	ISSUED FOR REFERENCE									
REV. NO.	DATE	DESCRIPTION	ENWG	CHK	APPD	APPD	APPD	APPD	APPD		
PROJECT											
MANUFACTURER											
											
TITLE											
PIPING & INSTRUMENTATION DRAWING											
ITEM NO.	HYD-100CH	DWG NO.	GSA-HYD-0100CH-02							REV.	△
SCALE	NONE										



POWER SOURCE  
AC 220/380/440V, 3Ph, 50/60Hz

8	HPS	REF. HIGH PRESSURE SWITCH
7	SW1	START/STOP SWITCH
6	TR1	TRANSFORMER
5	TS1	OUTLET TEMP. SENSOR
4	PS	FAN CONTROLLER
3	MC1, MC2	MAGNETIC CONTACTOR
2	M2	FAN MOTOR
1	M1	REF. COMPRESSOR
NO.	SYMBOL	DESCRIPTION

△										
△										
△										
△										
△	2020.09.21	ISSUED FOR REFERENCE								
REV. NO.	DATE	DESCRIPTION	ENWG	CHK	APPD	APPD	APPD	APPD		
PROJECT										
MANUFACTURER										
 Global Standard Air & Gas										
TITLE										
WIRING DRAWING										
ITEM NO.	HYD-100CH	DWG NO.	GSA-HYD-0100CH-03				REV.	△		
SCALE	NONE									