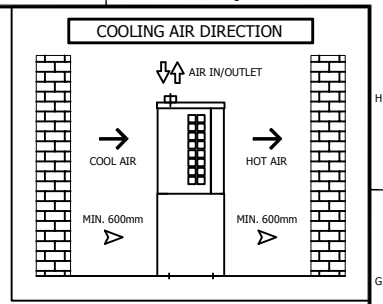
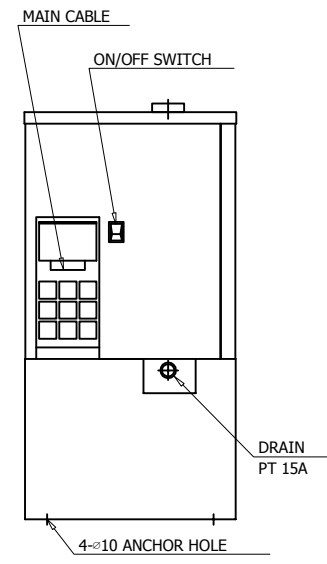
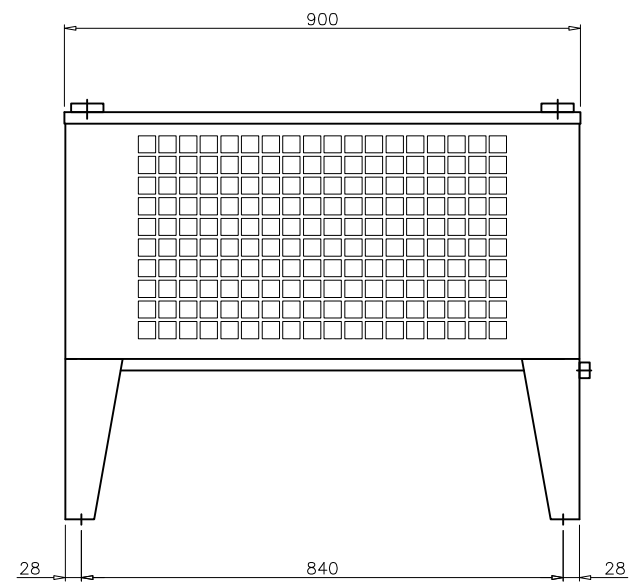
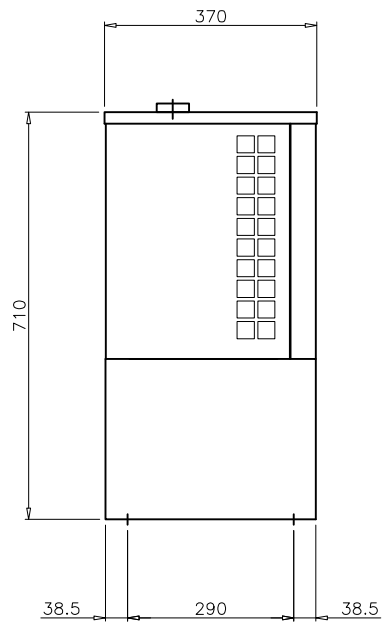
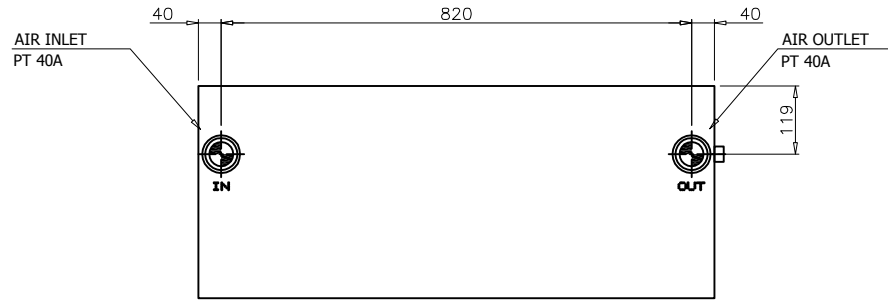
	<b>After Cooler</b>	Rev.	Date	Prepared By	Checked By	Approved By
		A	2019.01.15	LEE.S.M.	JO.S.J.	KIM.H.W.
	B					
	C					
	D					
	<b>Air Cooled Type</b>					

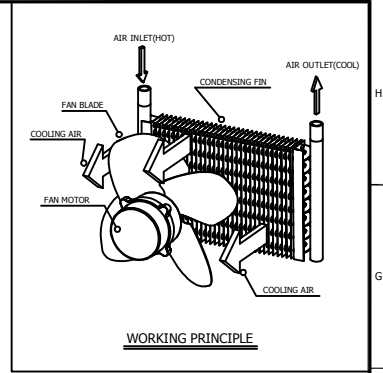
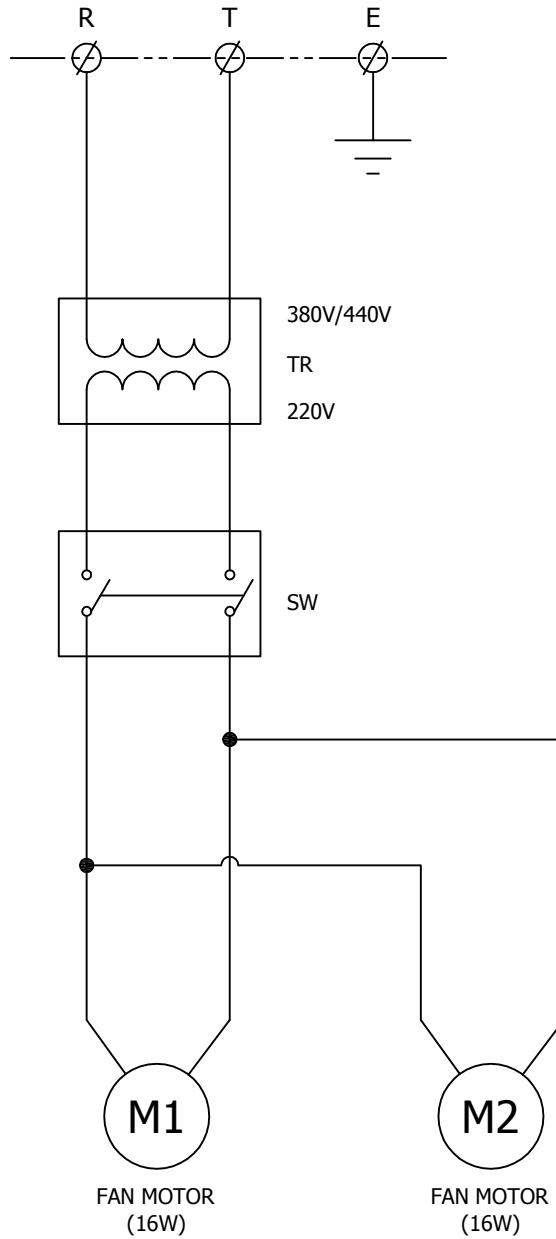
Project name	-	Model Name	HYA-50AN
--------------	---	------------	----------

1	<b>SPECIFICATION</b>				
2	Supply Voltage	220V	Inlet Flow Rate	7.8	Nm3/min
3	Phase	1PH	Inlet Pressure	7	barg
4	Frequency	60Hz	Inlet Temp.	60	°C
5	Control use	220V	Outlet Flow Rate	7.8	Nm3/min
6	Fulid	Compressed Air	Outlet Pressure	6.8	barg
7	Location	Indoor	Outlet Temp.	Over 8 (than ambi. Temp.) °C	
8	Design Code	Maker STD.	Pressure Drop	0.2	bar
9	Area Class	Non-Hazardous	Design Pressure	9.7	barg
10			Design Temperature	80	°C
11			Ambient Temperature	32	°C
12	<b>CONSTRUCTION</b>				
13	Inlet Connection	40A	PT Female Screw	Dimension (W x L x H)	900 X 370 X 710 mm
14	Outlet Connection	40A	PT Female Screw	Weight	40 kg
15	Drain Connection	15A	PT Female Screw	Power Consumption	0.144 kW
16	Color (Munsell)	5.7PB 2.9/3.5			
17					
18	<b>FAN &amp; MOTOR SPECIFICATION</b>				
19	Fan Diameter	Ø250	mm		
20	Motor Output(Input) Power	16(72)	W		
21	Motor Rated Current	0.47	A		
22	Motor Quantity	2	EA		
23	Motor Pole	4	Pole		
25	<b>STANDRAD FEATURES AND CONTROL</b>				
26	Fan Motor Overload Relay	NO			
27	Pressure Gauge	NO			
28	Magnetic Contactors	NO			
29	Auto Drain	NO			
30					
31					
32	<b>NOTES</b>				
33					
34					
35					
36					
37					
38					
39					
40					
41					
42					
43					
44					
45					
46					



SPECIFICATION	
INLET TEMPERATURE	60°C (MAX. 80°C)
AMBIENT TEMPERATURE	32°C (MAX. 40°C)
WORKING PRESSURE	7 barg
OUTLET TEMPERATURE	OVER 8°C (THAN AMB. TEMP.)
CAPACITY	7.8 Nm <sup>3</sup> /min
IN/OUT CONNECTION	PT 40A
DIMENSION(WXDxH, mm)	900X370X710
WEIGHT	40 kg
MOTOR SPECIFICATION	16W , 50/60Hz
FAN DIAMETER	φ250 X 2EA
POWER CONSUMPTION	144W

△									
△									
△									
△									
△									
△	2018.12.10	ISSUED FOR PROPOSAL							
REV.	DATE	DESCRIPTION	DWG	CHK	APPD	APPD	APPD		
PROJECT									
MANUFACTURER									
TITLE									
HYA-050AN OUTLINE									
ITEM NO.	HYA-050AN	DWG NO.							
SCALE	NONE	GSA-HYA-050AN-01		REV.					



POWER SOURCE  
AC 220V, 1Ph, 60Hz

NO.	SYMBOL	DESCRIPTION
3	TR	TRANSFORMER (OPTION)
2	SW	START/STOP SWITCH
1	M1, M2	FAN MOTOR

△										
△										
△										
△										
△	2018.12.10	ISSUED FOR PROPOSAL								
REV.	DATE	DESCRIPTION	DWG	CHK	APPD	APPD	APPD			
PROJECT										
MANUFACTURER										
TITLE										
HYA-050AN WIRING										
ITEM NO.	HYA-050AN	DWG NO.	GSA-HYA-050AN-01							REV.
SCALE	NONE								△	