



**After Cooler**

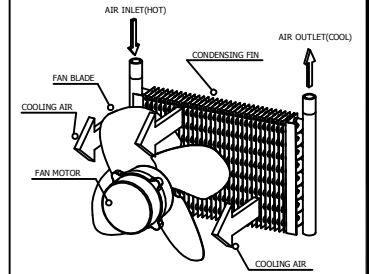
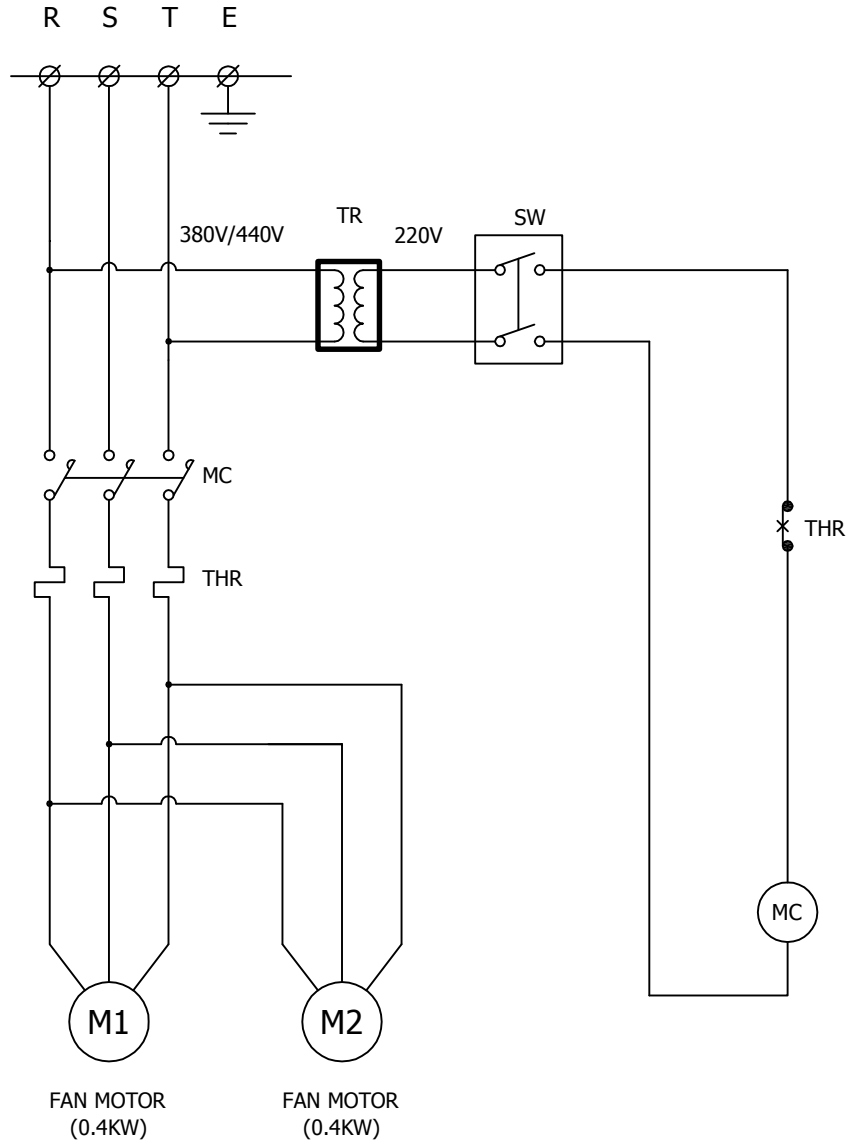
**Air Cooled Type**

Rev.	Date	Prepared By	Checked By	Approved By
A	2019.01.15	LEE.S.M.	JO.S.J.	KIM.H.W.
B				
C				
D				

Project name	-	Model Name	HYA-300A
--------------	---	------------	----------


1	<b>SPECIFICATION</b>			
2	Supply Voltage	380V	Inlet Flow Rate	52 Nm3/min
3	Phase	3PH	Inlet Pressure	7 barg
4	Frequency	60Hz	Inlet Temp.	60 °C
5	Control use	220V	Outlet Flow Rate	52 Nm3/min
6	Fulid	Compressed Air	Outlet Pressure	6.8 barg
7	Location	Indoor	Outlet Temp.	Over 8 (than ambi. Temp.) °C
8	Design Code	Maker STD.	Pressure Drop	0.2 bar
9	Area Class	Non-Hazardous	Design Pressure	9.7 barg
10			Design Temperature	80 °C
11			Ambient Temperature	32 °C
12	<b>CONSTRUCTION</b>			
13	Inlet Connection	100A KS 10K SO.FF.	Dimension (W x L x H)	1840 X 480 X 1360 mm
14	Outlet Connection	100A KS 10K SO.FF.	Weight	230 kg
15	Drain Connection	15A PT Female Screw	Power Consumption	0.8 kW
16	Color (Munsell)	5.7PB 4.1/9.9		
17				
18	<b>FAN &amp; MOTOR SPECIFICATION</b>			
19	Fan Diameter	Ø550 mm		
20	Motor Output(Input) Power	334(400) W		
21	Motor Rated Current	1.1 A		
22	Motor Quantity	2 EA		
23	Motor Pole	6 Pole		
25	<b>STANDRAD FEATURES AND CONTROL</b>			
26	Fan Motor Overload Relay	YES		
27	Pressure Gauge	YES		
28	Magnetic Contactors	YES		
29	Auto Drain	NO		
30				
31				
32	<b>NOTES</b>			
33				
34				
35				
36				
37				
38				
39				
40				
41				
42				
43				
44				
45				
46				





WORKING PRINCIPLE

POWER SOURCE		
AC 220/380/440V, 1Ph, 60Hz		
5	TR	TRANSFORMER
4	MC	MAGNETIC CONTACTOR
3	SW	START/STOP SWITCH
2	THR	OVERLOAD RELAY
1	M1, M2	FAN MOTOR
NO.	SYMBOL	DESCRIPTION

△									
△									
△									
△									
△									
△	2018.12.10	ISSUED FOR PROPOSAL							
REV.	DATE	DESCRIPTION	DWG	CHK	APPD	APPD	APPD	APPD	APPD
PROJECT									
MANUFACTURER									
 Global Standard Air & Gas									
TITLE									
HYA-300A WIRING									
ITEM NO.	HYA-300A	DWG NO.							
SCALE	NONE	GSA-HYA-300A-02							
									REV. 