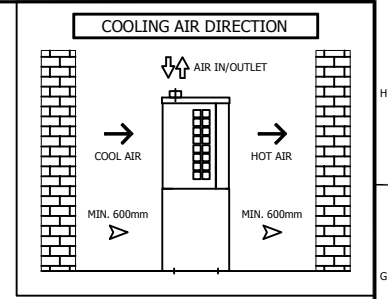
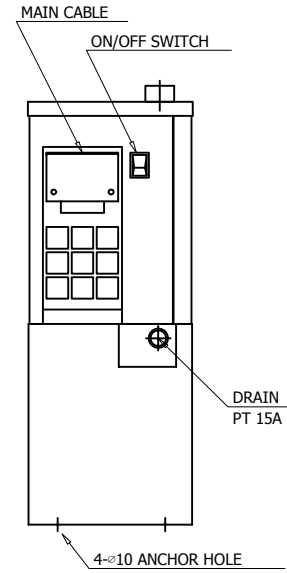
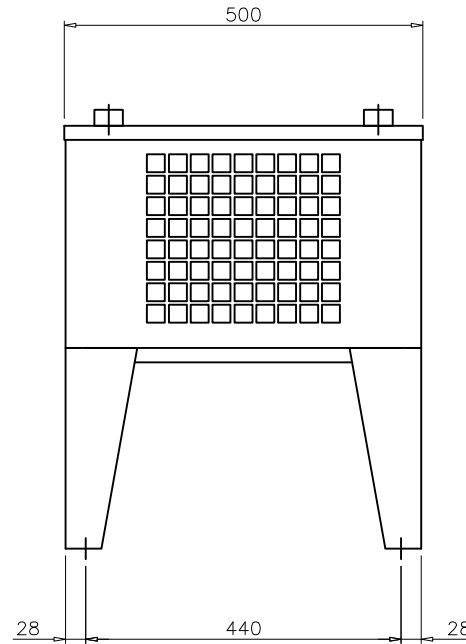
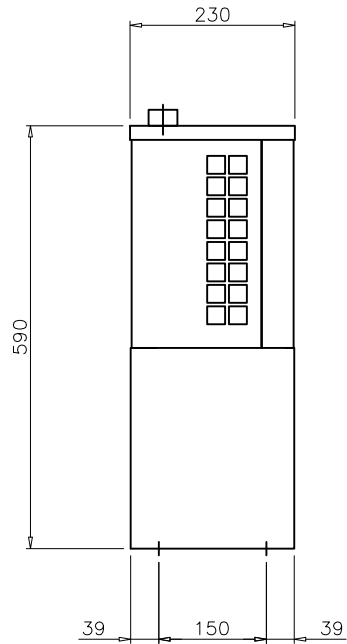
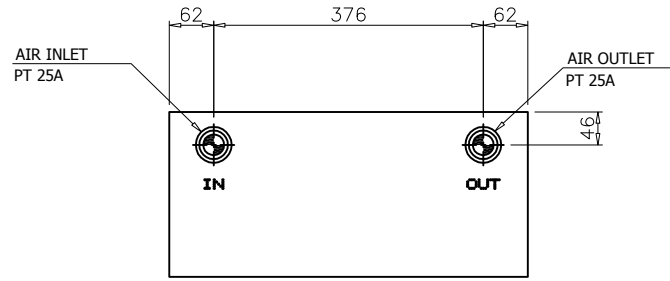

	After Cooler	Rev.	Date	Prepared By	Checked By	Approved By
		A	2019.01.15	LEE.S.M.	JO.S.J.	KIM.H.W.
	B					
	C					
	D					
	Air Cooled Type					

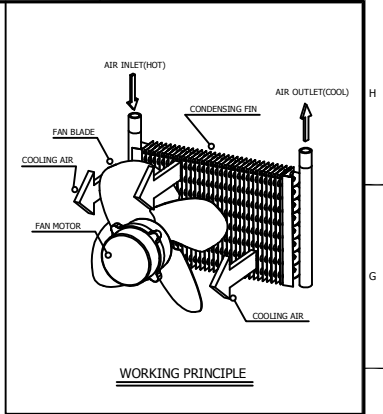
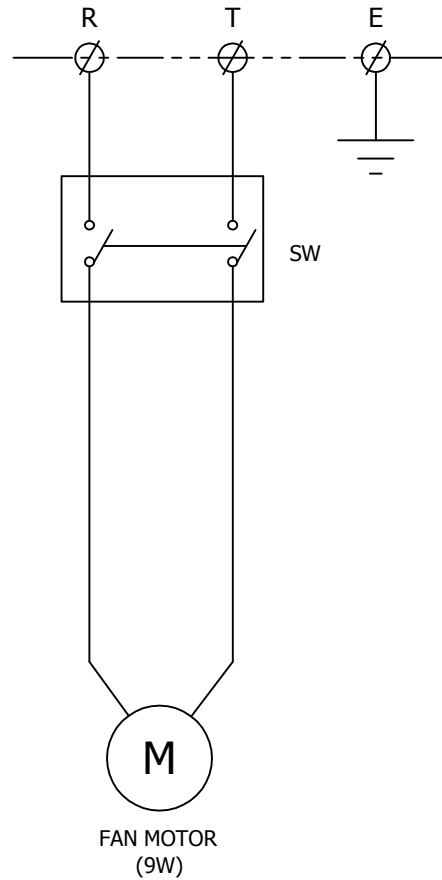
Project name	-	Model Name	HYA-25AN
--------------	---	------------	----------

1	SPECIFICATION				
2	Supply Voltage	220V	Inlet Flow Rate	3.2	Nm3/min
3	Phase	1PH	Inlet Pressure	7	barg
4	Frequency	60Hz	Inlet Temp.	60	°C
5	Control use	220V	Outlet Flow Rate	3.2	Nm3/min
6	Fulid	Compressed Air	Outlet Pressure	6.8	barg
7	Location	Indoor	Outlet Temp.	Over 8 (than ambi. Temp.) °C	
8	Design Code	Maker STD.	Pressure Drop	0.2	bar
9	Area Class	Non-Hazardous	Design Pressure	9.7	barg
10			Design Temperature	80	°C
11			Ambient Temperature	32	°C
12	CONSTRUCTION				
13	Inlet Connection	25A	PT Female Screw	Dimension (W x L x H)	500 X 230 X 590 mm
14	Outlet Connection	25A	PT Female Screw	Weight	16 kg
15	Drain Connection	15A	PT Female Screw	Power Consumption	0.031 kW
16	Color (Munsell)	5.7PB 2.9/3.5			
17					
18	FAN & MOTOR SPECIFICATION				
19	Fan Diameter	Ø230	mm		
20	Motor Output(Input) Power	9(31)	W		
21	Motor Rated Current	0.23	A		
22	Motor Quantity	1	EA		
23	Motor Pole	4	Pole		
25	STANDRAD FEATURES AND CONTROL				
26	Fan Motor Overload Relay	NO			
27	Pressure Gauge	NO			
28	Magnetic Contactors	NO			
29	Atuo Drain	NO			
30					
31					
32	NOTES				
33					
34					
35					
36					
37					
38					
39					
40					
41					
42					
43					
44					
45					
46					



SPECIFICATION	
INLET TEMPERATURE	60°C (MAX. 80°C)
AMBIENT TEMPERATURE	32°C (MAX. 40°C)
WORKING PRESSURE	7 barg
OUTLET TEMPERATURE	OVER 8°C (THAN AMB. TEMP.)
CAPACITY	3.2 Nm ³ /min
IN/OUT CONNECTION	PT 25A
DIMENSION(WXDXH, mm)	500X230X590
WEIGHT	15 kg
MOTOR SPECIFICATION	9W , 50/60Hz
FAN DIAMETER	∅230
POWER CONSUMPTION	31W

△											
△											
△											
△											
△											
△											
REV.	DATE	DESCRIPTION	DWG	CHK	APPD	APPD	APPD	APPD	APPD	APPD	
2018.12.10		ISSUED FOR PROPOSAL									
PROJECT											
MANUFACTURER											
 Global Standard Air & Gas											
TITLE											
HYA-025AN OUTLINE											
ITEM NO.	HYA-025AN	DWG NO.	GSA-HYA-025AN-01							REV.	△
SCALE	NONE										



WORKING PRINCIPLE

POWER SOURCE AC 220V, 1Ph, 60Hz		
2	SW	START/STOP SWITCH
1	M	FAN MOTOR
NO.	SYMBOL	DESCRIPTION

△									
△									
△									
△									
△	2018.12.10	ISSUED FOR PROPOSAL	-	-	-	-	-	-	-
REV. NO.	DATE	DESCRIPTION	DWG	CHK	APPD	APPD	APPD	APPD	APPD
PROJECT									
MANUFACTURER									
TITLE									
HYA-025AN WIRING									
ITEM NO.	HYA-025AN	DWG NO.							
SCALE	NONE	GSA-HYA-025AN-02							
									REV. △