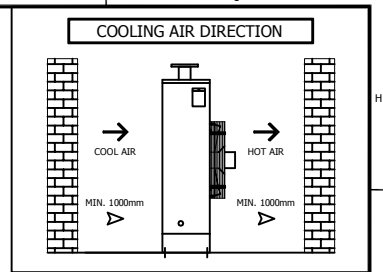
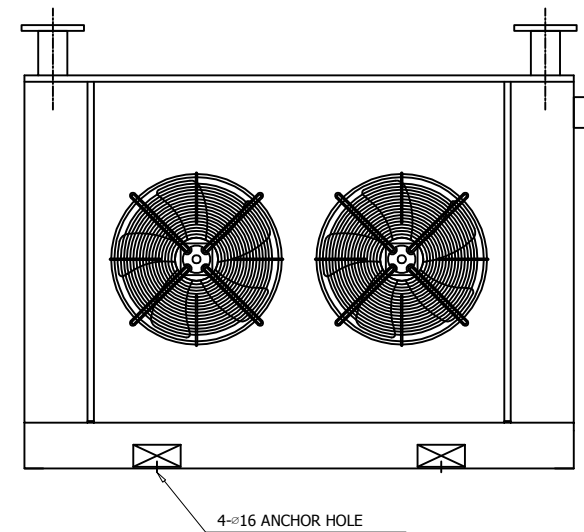
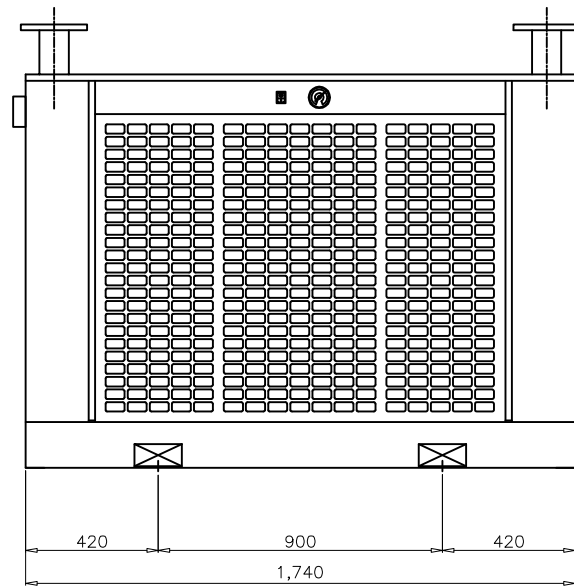
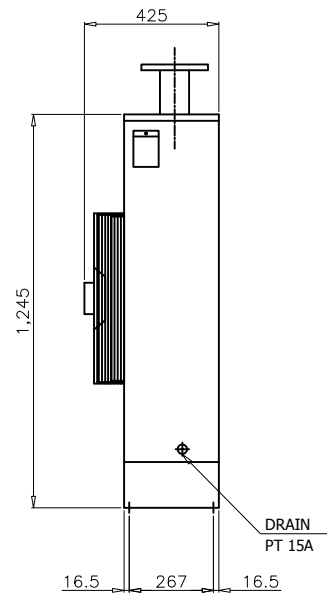
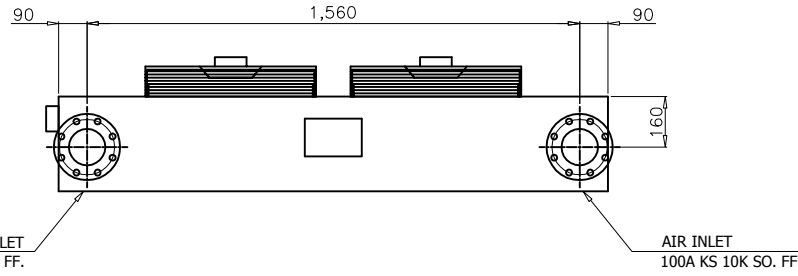
	After Cooler	Rev.	Date	Prepared By	Checked By	Approved By
		A	2019.01.15	LEE.S.M.	JO.S.J.	KIM.H.W.
	B					
	C					
	D					
	Air Cooled Type					

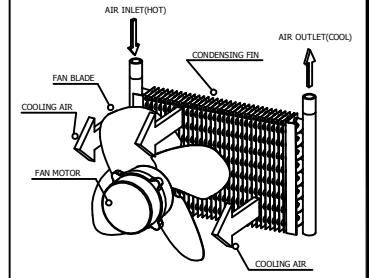
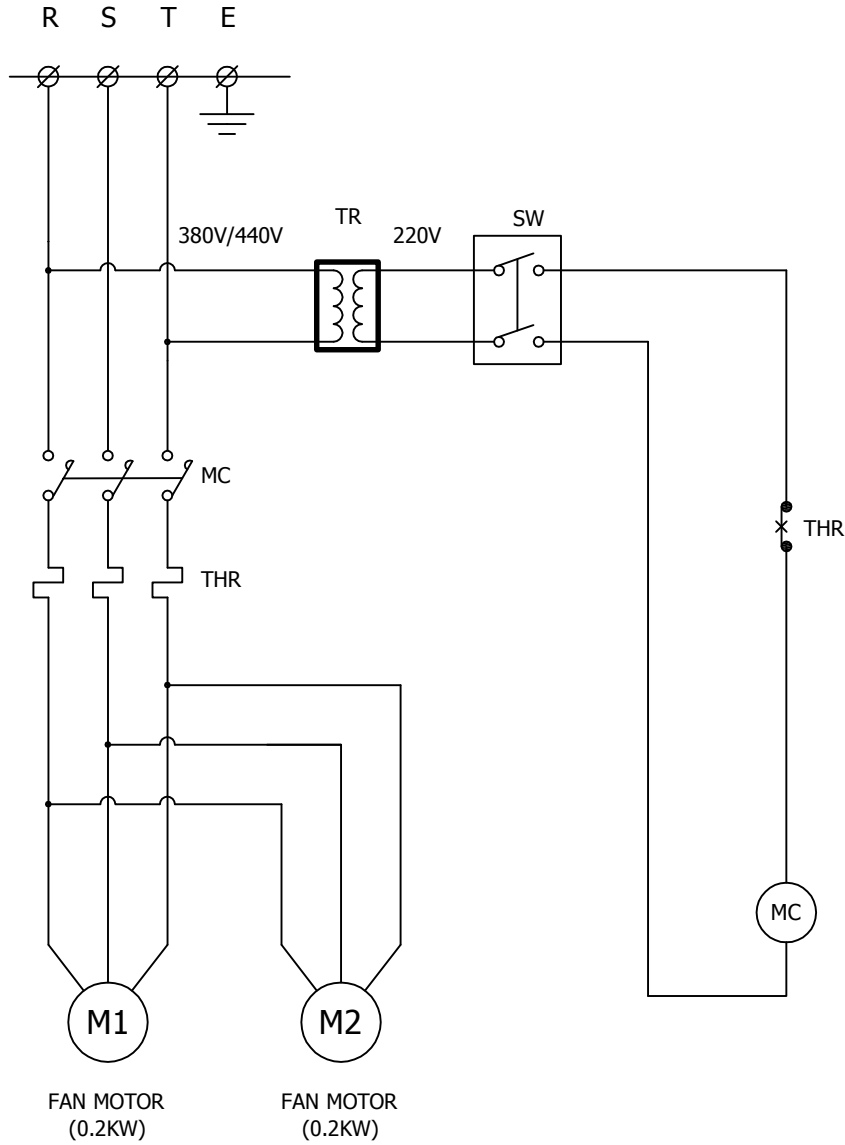
Project name	-	Model Name	HYA-200A
--------------	---	------------	----------

1	SPECIFICATION				
2	Supply Voltage	380V	Inlet Flow Rate	41	Nm3/min
3	Phase	3PH	Inlet Pressure	7	barg
4	Frequency	60Hz	Inlet Temp.	60	°C
5	Control use	220V	Outlet Flow Rate	41	Nm3/min
6	Fulid	Compressed Air	Outlet Pressure	6.8	barg
7	Location	Indoor	Outlet Temp.	Over 8 (than ambi. Temp.) °C	
8	Design Code	Maker STD.	Pressure Drop	0.2	bar
9	Area Class	Non-Hazardous	Design Pressure	9.7	barg
10			Design Temperature	80	°C
11			Ambient Temperature	32	°C
12	CONSTRUCTION				
13	Inlet Connection	100A	KS 10K SO.FF.	Dimension (W x L x H)	1740 X 425 X 1245 mm
14	Outlet Connection	100A	KS 10K SO.FF.	Weight	210 kg
15	Drain Connection	15A	PT Female Screw	Power Consumption	0.4 kW
16	Color (Munsell)	5.7PB 4.1/9.9			
17					
18	FAN & MOTOR SPECIFICATION				
19	Fan Diameter	Ø500	mm		
20	Motor Output(Input) Power	174(200)	W		
21	Motor Rated Current	0.8	A		
22	Motor Quantity	2	EA		
23	Motor Pole	6	Pole		
25	STANDRAD FEATURES AND CONTROL				
26	Fan Motor Overload Relay	YES			
27	Pressure Gauge	YES			
28	Magnetic Contactors	YES			
29	Auto Drain	NO			
30					
31					
32	NOTES				
33					
34					
35					
36					
37					
38					
39					
40					
41					
42					
43					
44					
45					
46					



SPECIFICATION	
INLET TEMPERATURE	60°C (MAX. 80°C)
AMBIENT TEMPERATURE	32°C (MAX. 40°C)
WORKING PRESSURE	7 barg
OUTLET TEMPERATURE	OVER 8°C (THAN AMB. TEMP.)
CAPACITY	41 Nm ³ /min
IN/OUT CONNECTION	4" KS 10K SO. FF.
DIMENSION(WXDXH, mm)	1740X425X1245
WEIGHT	210 kg
MOTOR SPECIFICATION	0.2KW , 50/60Hz
FAN DIAMETER	Ø450 X 2EA
POWER CONSUMPTION	0.4KW

△										
△										
△										
△										
△										
△										
△										
△										
△										
△										
REV.	DATE	DESCRIPTION	DWG	CHK	APPD	APPD	APPD	APPD	APPD	
1	2018.12.10	ISSUED FOR PROPOSAL								
PROJECT										
MANUFACTURER										
TITLE										
HYA-200A OUTLINE										
ITEM NO.	HYA-200A	DWG NO.								REV.
SCALE	NONE	GSA-HYA-200A-01							△	



WORKING PRINCIPLE

POWER SOURCE		
AC 220/380/440V, 1Ph, 60Hz		
5	TR	TRANSFORMER
4	MC	MAGNETIC CONTACTOR
3	SW	START/STOP SWITCH
2	THR	OVERLOAD RELAY
1	M1, M2	FAN MOTOR
NO.	SYMBOL	DESCRIPTION

△											
△											
△											
△											
△											
△											
REV.	DATE	DESCRIPTION	DWG	CHK	APPD	APPD	APPD				
2018.12.10		ISSUED FOR PROPOSAL	W.J.K	-	-	-	-				
PROJECT											
MANUFACTURER											
TITLE											
HYA-200A WIRING											
ITEM NO.	HYA-200A	DWG NO.								REV.	
SCALE	NONE								GSA-HYA-200A-02	△	